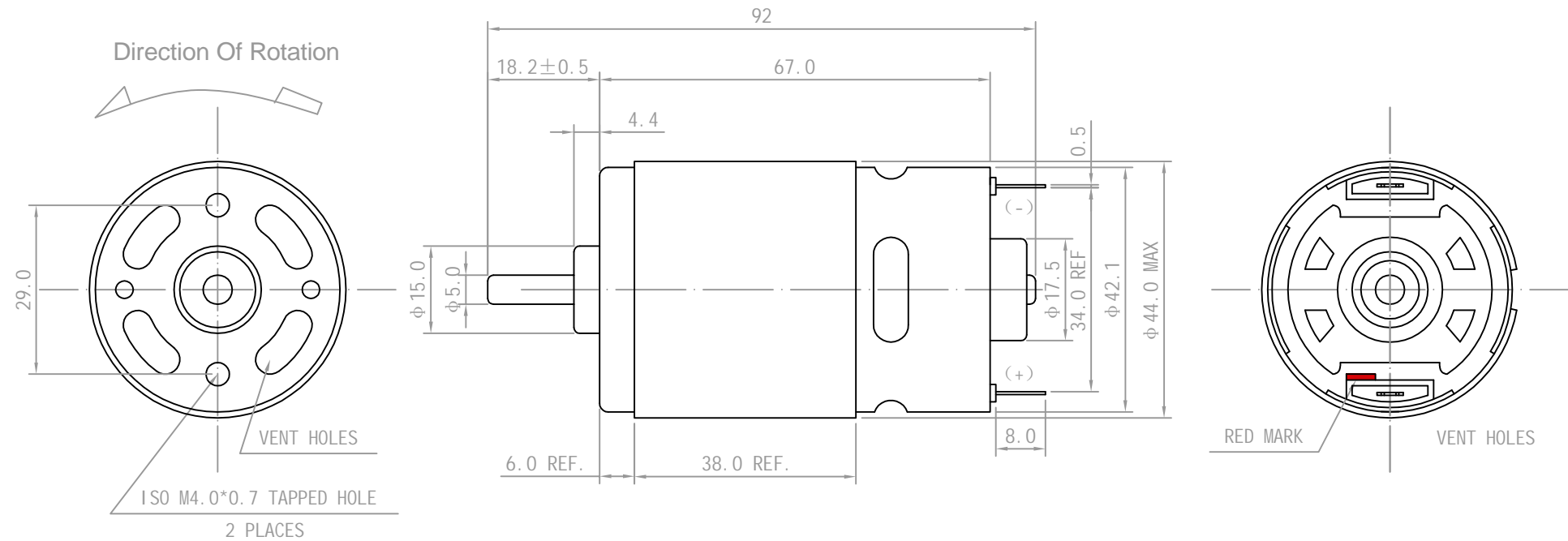


Rev.	Description	Date
01		



No.	Item	Specification	No.	Item	Specification
1	Starting Voltage	≤ 3.0 DC	7		
2	Rated Voltage	24V DC	8		
3	No Load Speed	4700 ± 10% rpm	9		
4	No Load Current	0.4A	10		
5	Rated Speed	4000 ± 10% rpm			
6	Rated Current	1.8A			

Drawn	Bruce	04/20/2021	<b>Unit: mm</b>  <b>Kysan Electronics</b>  <a href="http://www.kysanelectronics.com">www.kysanelectronics.com</a> <a href="mailto:info@kysanelectronics.com">info@kysanelectronics.com</a>	
Checked	Eva	04/23/2020		
Eng Appr.				
Mfg Appr.				
Q.A.				
<b>SKU:</b> <b>1112186</b>			Size :A4	Weight(Kg):
			Scale 1:1	