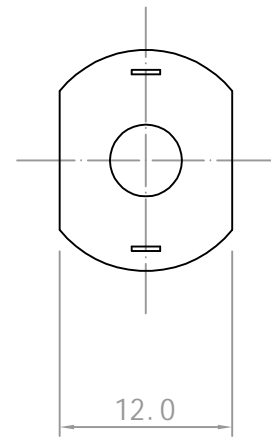
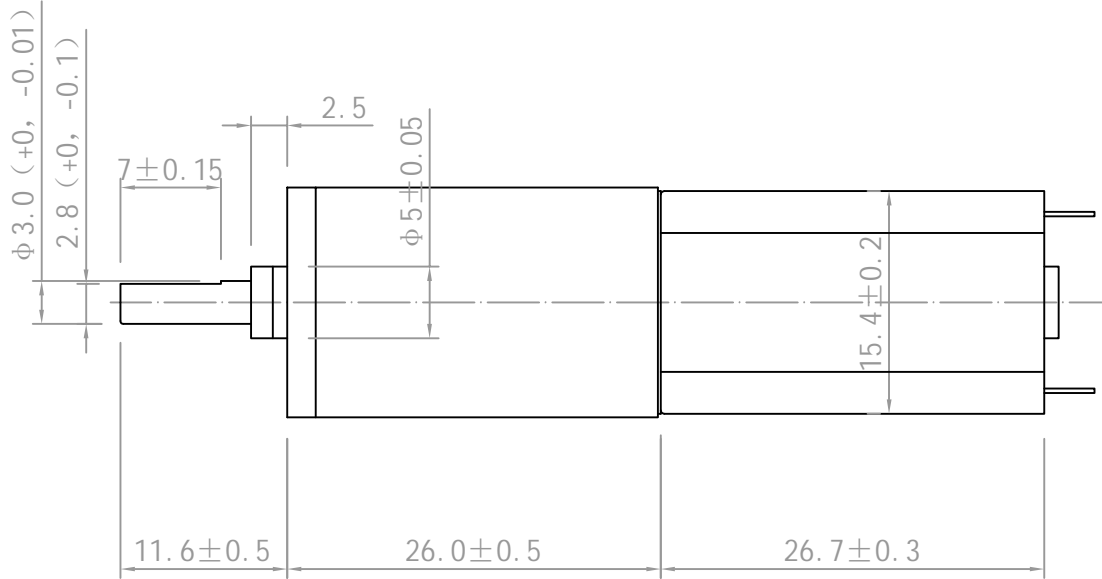
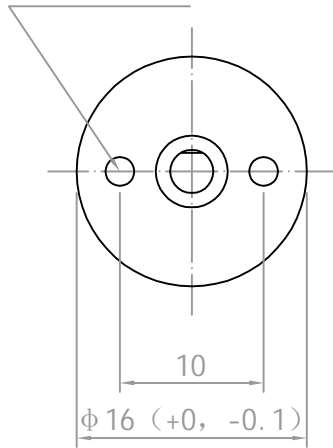


Rev.	Description	Date
01		

2-M2\*3dp



No.	Item	Specification	No.	Item	Specification
1	Rated Voltage	12V DC	7	Stall Current	240mA
2	No Load Speed	12.46 ± 10%rpm	8	Stall Torque	6kgf.cm
3	No Load Current	70mA Max	9	Gear Ratio	1: 690
4	Rated Speed	9.7 ± 10%rpm	10	Operating Voltage Range	12VDC ± 10%
5	Rated Current	120mA ± 10%			
6	Rated Torque	2.1kgf.cm			

Drawn	Bruce	04/30/2021	Unit: mm	
Checked	Tony	04/30/2021	<b>Kysan Electronics</b> www.kysanelectronics.com info@kysanelectronics.com	
Eng Appr.				
Mfg Appr.				
Q.A.				
<b>SKU:</b> 1030011			Size :A4	Weight(g):
			Scale 2:1	

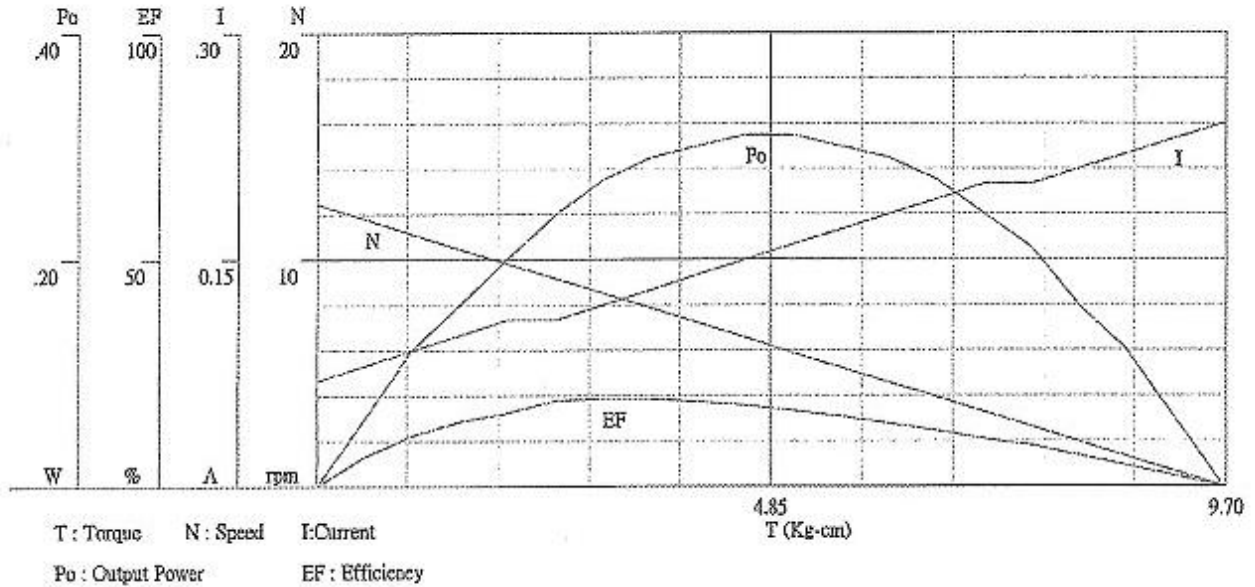
# Characteristic Diagram

Mode: 1030011

S/N: 01

Voltage : 12 V

Date: 2021/04/23



	T(N/m)	[Kg/cm]	N(rpm)	I(A)	Po(W)	EF(%)
No Load	0	0.00	12.46	.07	0	0
	.05	.51	11.81	.08	.06	6.71
	.15	1.53	10.48	.10	.16	14.3
	.2	2.03	9.83	.11	.2	16.16
	.25	2.55	9.17	.11	.24	18.92
	.35	3.57	7.87	.13	.29	19.24
	.4	4.07	7.22	.14	.3	18.7
	.5	5.08	5.90	.16	.31	16.7
	.55	5.60	5.24	.17	.3	15.37
	.6	6.11	4.59	.18	.29	13.88
	.65	6.62	3.94	.19	.27	12.24
	.7	7.12	3.28	.20	.24	10.41
	.75	7.64	2.63	.20	.21	8.96
	.8	8.14	1.97	.21	.16	6.8
	.9	9.16	.66	.23	.05	2.34
Stall	.95	9.67	0.00	.24	0	0
Po...(max)	.45	4.58	6.56	.15	.31	17.86
EF...(max)	.3	3.05	8.52	.12	.27	19.29