

8 7 6 5 4 3 2 1

D

D

C

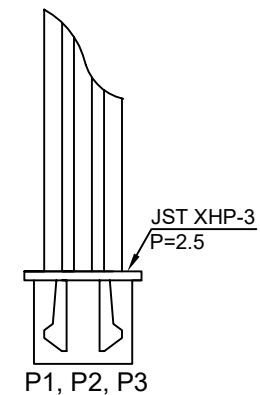
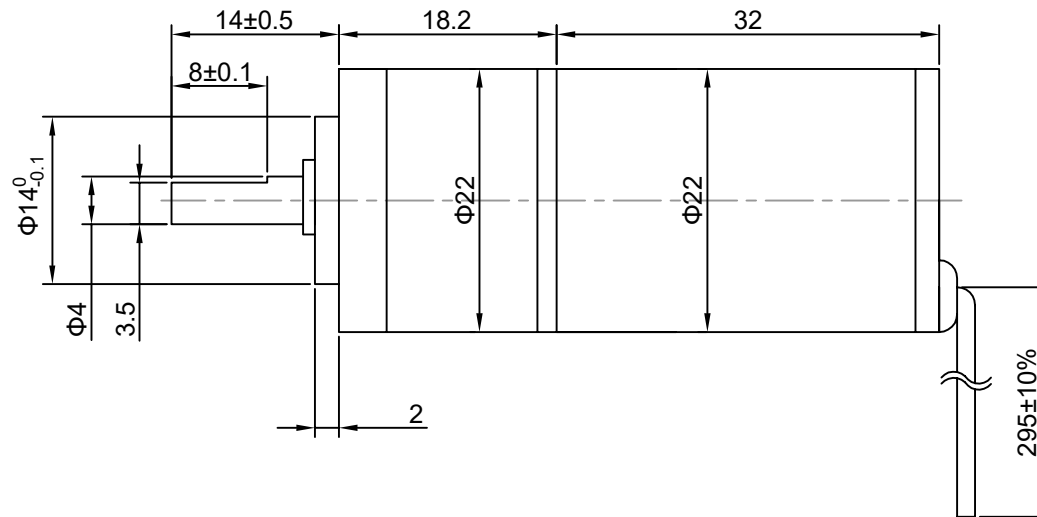
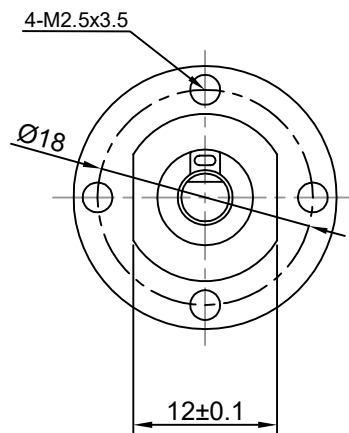
C

B

B

A

A



P1(WHI): MOTOR U  
P2(YEL): MOTOR V  
P3(BLU): MOTOR W

No.	Item	Specification	No.	Item	Specification
1	Rated Voltage	12V DC	7	Rated Torque	2.0kg.cm
2	Reduction Ratio	53:1			
3	No Load Speed	430±12%RPM			
4	No Load Current	1.2A Maz			
5	Rated Speed	328±12%RPM			
6	Rated Current	2.8A Max			

Drawn	Tony	04/17/2026	Unit: mm	
Checked	Eva	04/17/2026	<b>Kysan Electronics</b> <a href="http://www.kysanelectronics.com">www.kysanelectronics.com</a>	
Eng Appr.				
Mfg Appr.				
Q.A.				
<b>SKU:</b> 1030136			Siae: A4	Weight(Kg):
			Scale	

8 7 6 5 4 3 2 1