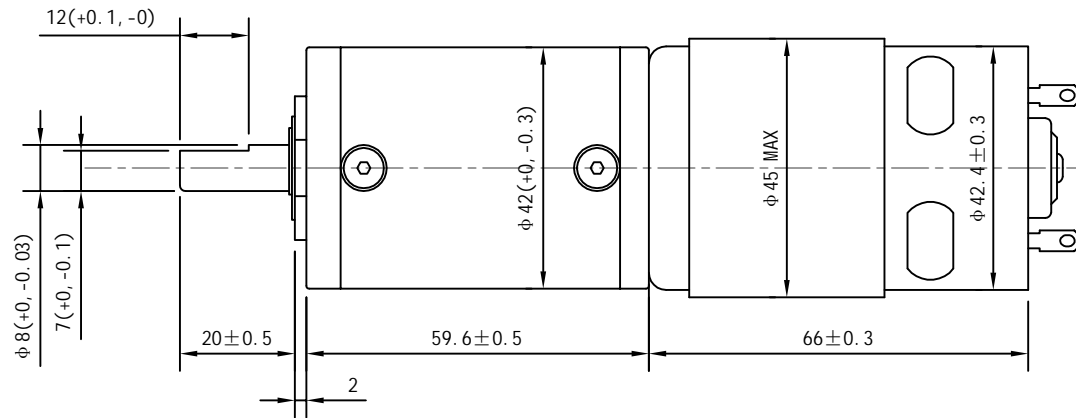
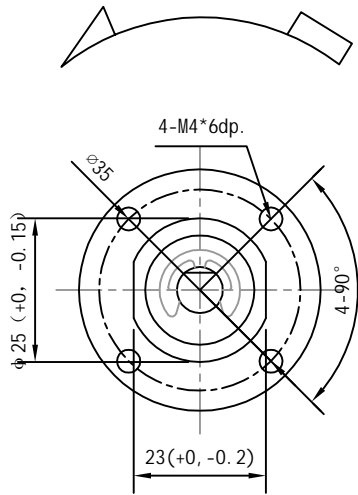


Direction of Rotation



No.	Item	Specification	No.	Item	Specification
1	Rated Voltage	24V DC	7	Stall Current	12.95A
2	Rated Load	30kg.cm	8	Stall Torque	6063kgf.cm
3	No Load Current	≤800mA	9	Gear Ratio	3600:1
4	No Load Speed	1.94RPM±10%	10	Direction Of Rotation	CCW
5	Rated Load Current	≤1.1A	11		
6	Rated Load Speed	1.92RPM±12%			

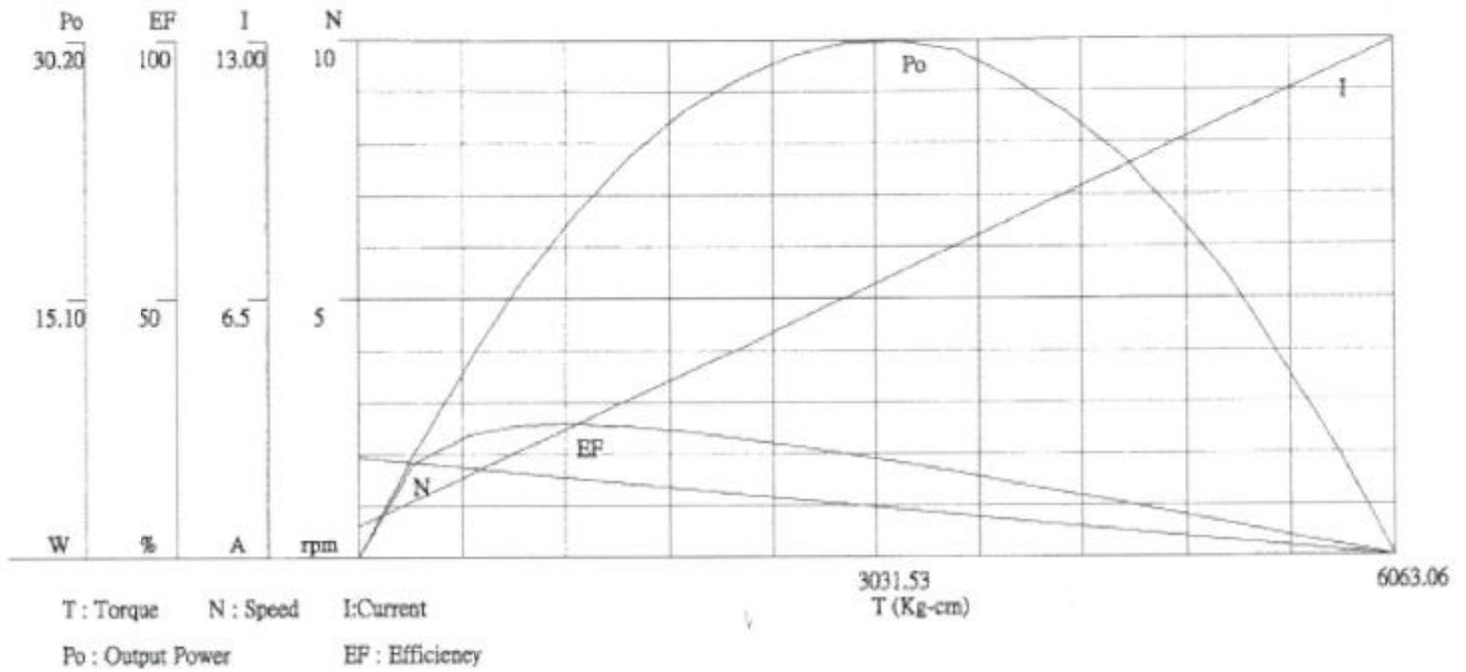
Drawn	Bruce	04/20/2023	Unit: mm		
Checked	Eva	04/20/2023	Kysan Electronics www.kysanelectronics.com		
Eng Appr.					
Mfg Appr.					
Q.A.					
SKU: 1030172			Size :A4	Weight(Kg):	
			Scale :		

Mod: 1030172

S/N: 001

Voltage : 24 V

Date: 2023/04/18



	T(N/m)	[Kg/cm]	N(rpm)	I(A)	Po(W)	EF(%)
No Load	0	0.00	1.94	.80	0	0
	31.3	319.24	1.84	1.44	6.03	18.18
	93.78	956.65	1.64	2.72	16.1	25.71
	156.32	1594.61	1.43	4.00	23.4	25.38
	187.58	1913.48	1.33	4.64	26.12	24.41
	218.99	2233.86	1.22	5.27	27.97	23.02
	250.31	2553.43	1.12	5.92	29.35	21.54
	281.74	2874.06	1.02	6.56	30.09	19.9
	344.31	3512.31	.82	7.84	29.56	16.37
	375.49	3830.40	.71	8.48	27.91	14.3
	406.26	4144.23	.61	9.11	25.95	12.37
	438.27	4470.73	.51	9.76	23.4	10.4
	468.77	4781.89	.41	10.39	20.12	8.4
	500.33	5103.86	.31	11.04	16.24	6.39
	563.4	5747.24	.10	12.30	5.9	2.08
Stall	594.36	6063.00	0.00	12.95	0	0
Po...(max)	312.96	3192.54	.92	7.19	30.15	18.2
EF...(max)	125.11	1276.20	1.53	3.36	20.04	25.87