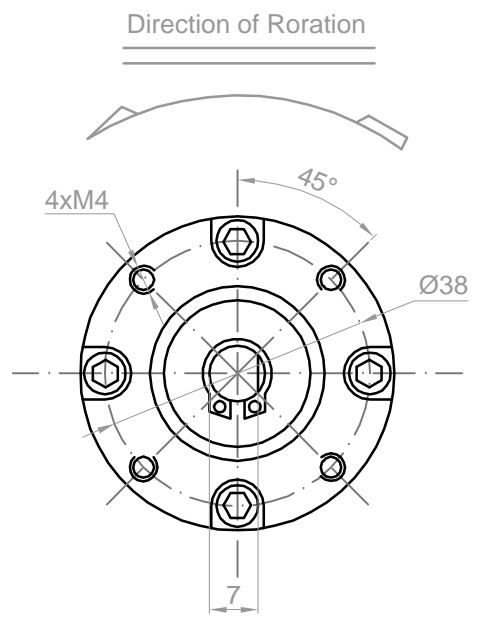
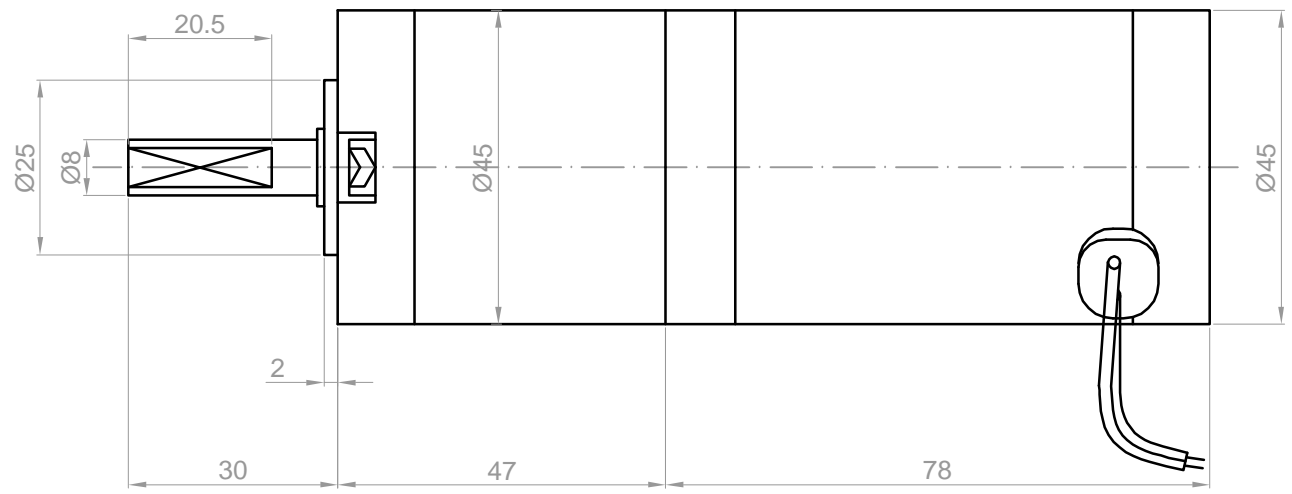


| Rev. | Description | Date |
|------|------------------------|------------|
| 01 | Release for Production | 07/09/2012 |



Direction of Rotation

- 1. Rated Voltage: 12 VDC
- 2. No Load Speed: 30 RPM
- 3. Ratio: 1:12.5:1
- 4. DC Motor: 4000 RPM

| | | | | | |
|-----------|-----------------|------------|--|-------------|----------|
| Drawn | Feny | 07/09/2012 | Kysan Electronics www.kysanelectronics.com | | |
| Checked | Sara | 07/09/2012 | | | |
| Eng Appr. | | | | | |
| Mfg Appr. | | | | | |
| Q.A. | | | info@kysanelectronics.com | | |
| SKU | 10351153 | | Size : A4 | Weight(Kg): | Unit: mm |
| | | | Scale: 2:1 | | |