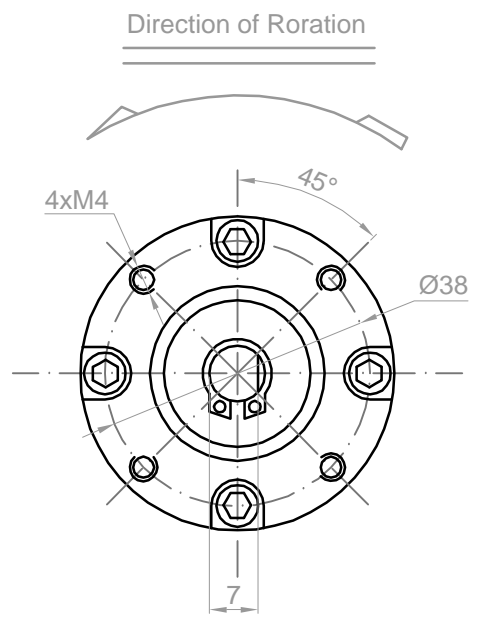
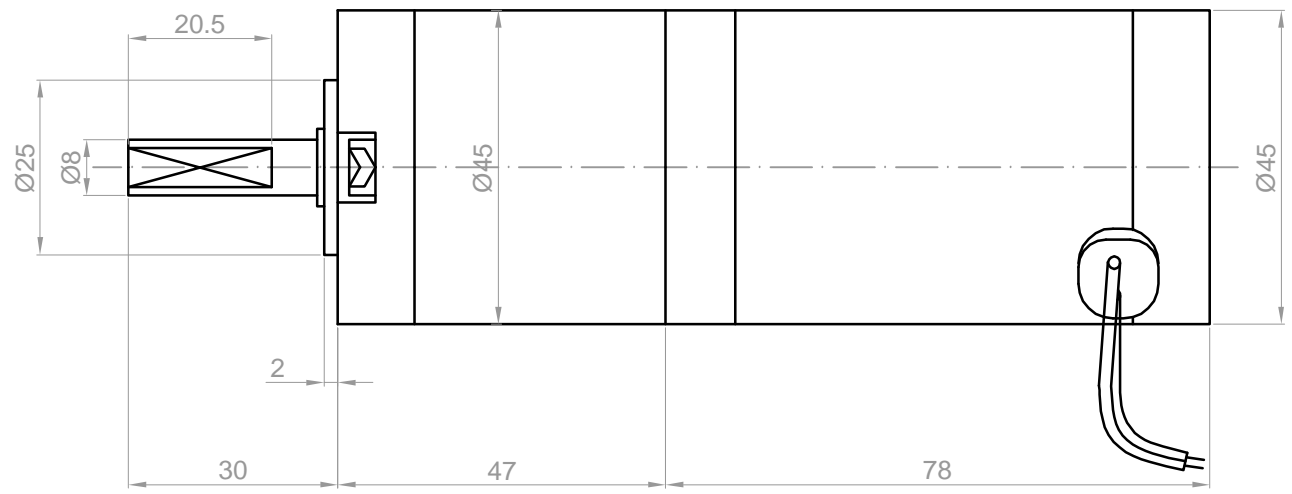


Rev.	Description	Date
01	Release for Production	07/09/2012



Direction of Rotation

- 1. Rated Voltage: 24 VDC
- 2. No Load Speed: 10 RPM
- 3. Ratio: 162:1
- 4. DC Motor: 2000 RPM

Drawn	Feny	07/09/2012	Kysan Electronics www.kysanelectronics.com info@kysanelectronics.com	
Checked	Sara	07/09/2012		
Eng Appr.				
Mfg Appr.				
Q.A.				
SKU	10351154		Size : A4	Weight(Kg):
			Scale: 2:1	
				Sheet 1 of 1