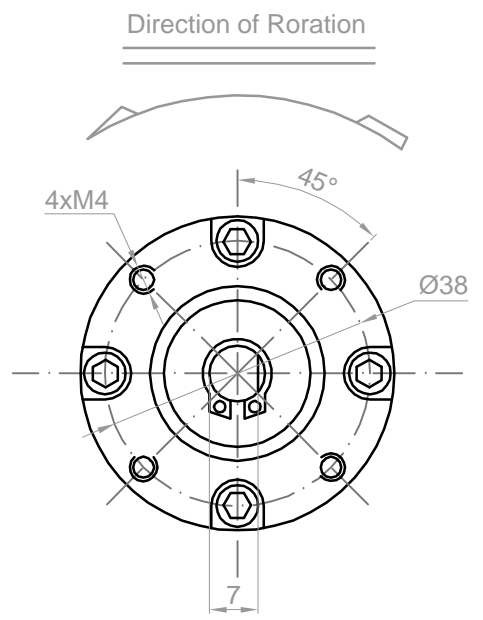
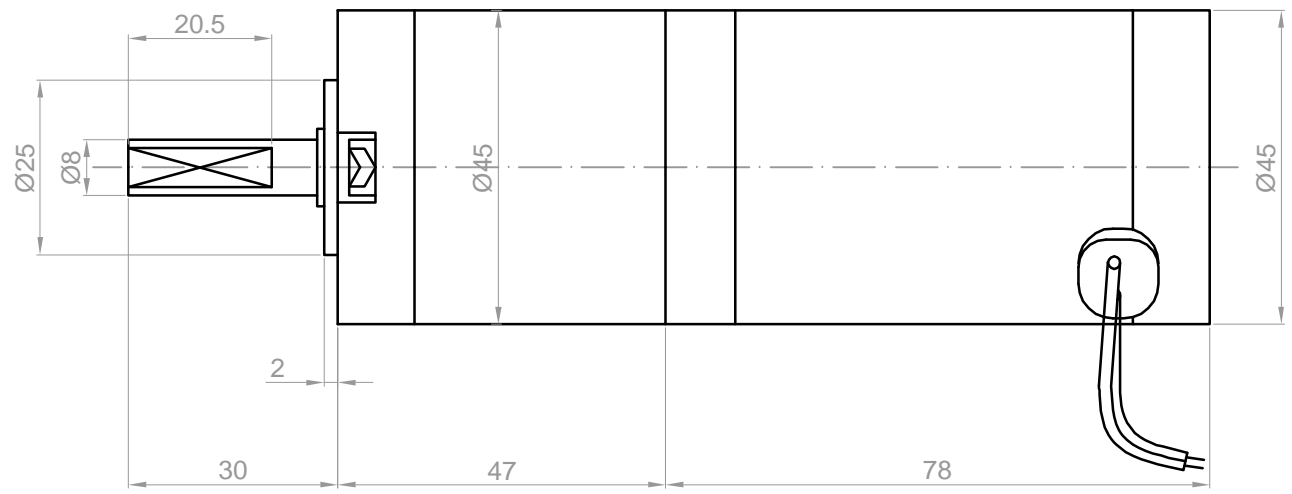


Rev.	Description	Date
01	Release for Production	07/09/2012



- 1. Rated Voltage: 24 VDC
- 2. No Load Speed: 30 RPM
- 3. Ratio: 1:12.5:1
- 4. DC Motor: 4000 RPM

Drawn	Feny	07/09/2012	<b>Kysan Electronics</b> <a href="http://www.kysanelectronics.com">www.kysanelectronics.com</a>  <a href="mailto:info@kysanelectronics.com">info@kysanelectronics.com</a>		
Checked	Sara	07/09/2012			
Eng Appr.					
Mfg Appr.					
Q.A.					
SKU		<b>10351155</b>	Size : A4	Weight(Kg):	Unit: mm
			Scale: 2:1		Sheet 1 of 1