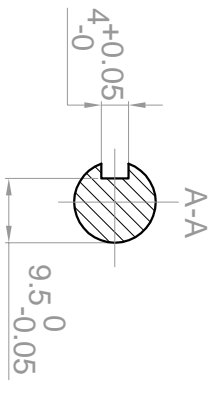
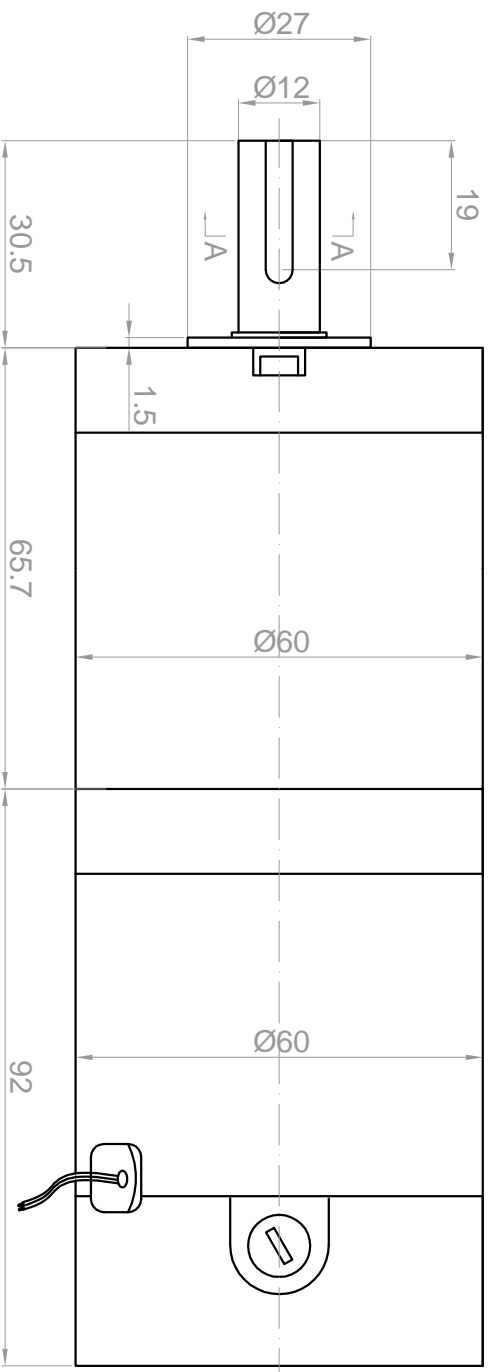
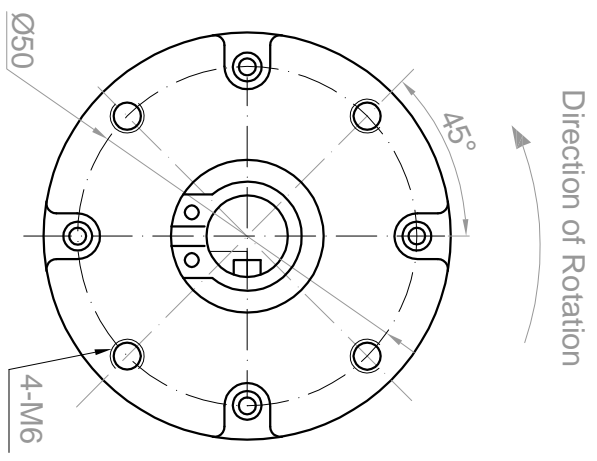


Rev.	Description	Date
01	Release	05/03/2012



Rated Voltage: 12 VDC  
 No Load Speed: 10 RPM  
 Gear Ratio: 179.5:1



Drawn	Kim	05/02/2012
Checked	Saira	05/02/2012
Eng. Appr.		
Mfg Appr.		
Q.A.		

SKU  
10351410

Unit: mm

**Kysan Electronics**  
 www.kysanelectronics.com

Size	A4	Email	info@kysanelectronics.com	Rev	01
Scale:	2:1	Weight(kg):		Sheet	1 of 1

