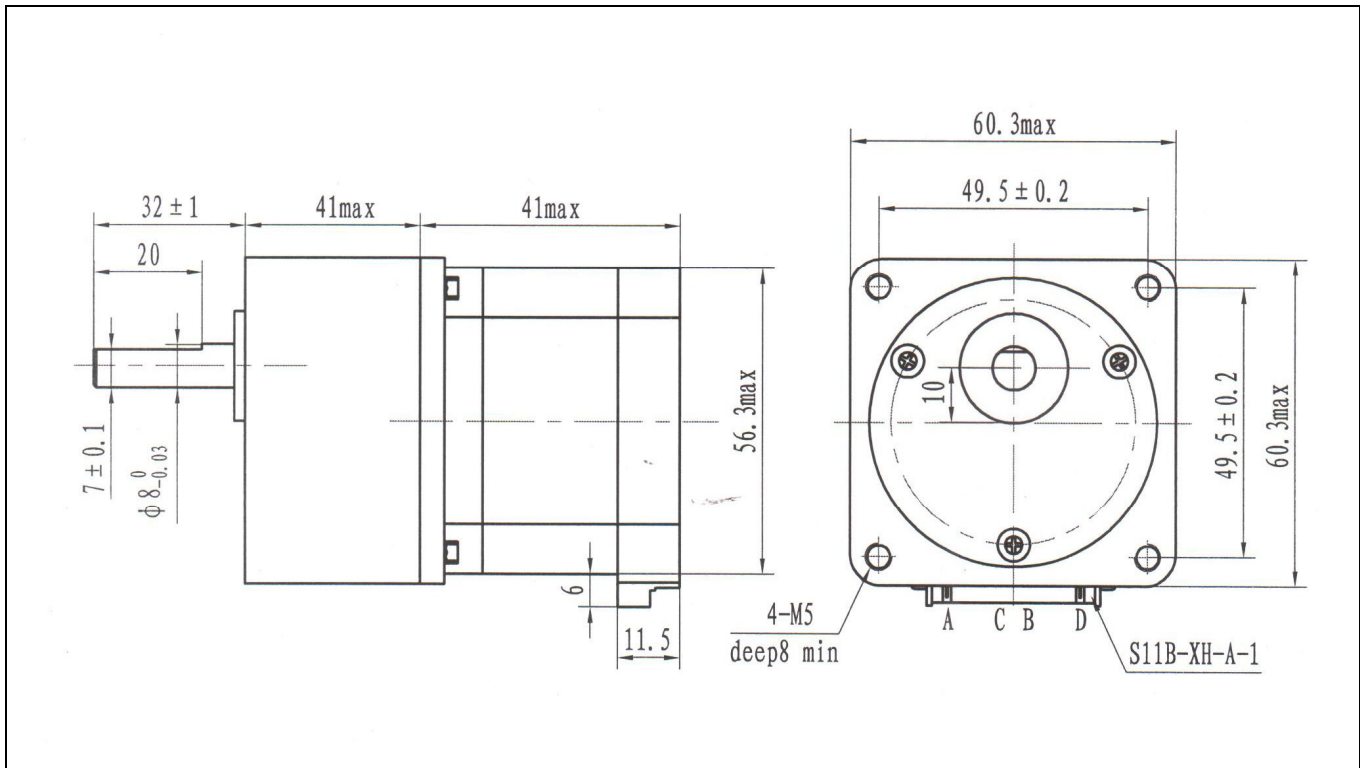
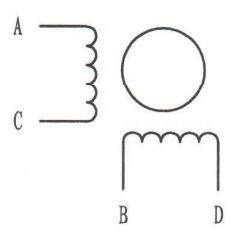


KYSAN SKU: 1040014
 MFG: 23HD034C30i
 Rated Voltage: 12.5VDC
 Ratio: 1:30
 Rated Current: 0.5 A



General specification & Electrical specification				Wiring diagram
Step angle	1.8°	Rated voltage	12.5V	
Number of phase	2	Rated current	0.5A	
Insulation resistane	100MΩmin. (500V DC)	Resistance per phase	25Ω ± 10%	
Insulation class	Class B	Inductance per phase	40 ± 20%	
Rotor inertia	135g.cm ²	Holding torque	0.5N.m	
Mass	0.42kg	Detent torque	22mN.m	
Gear redution ratio	1:30			