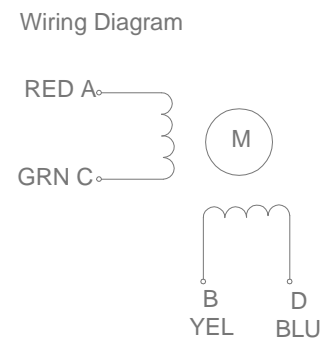
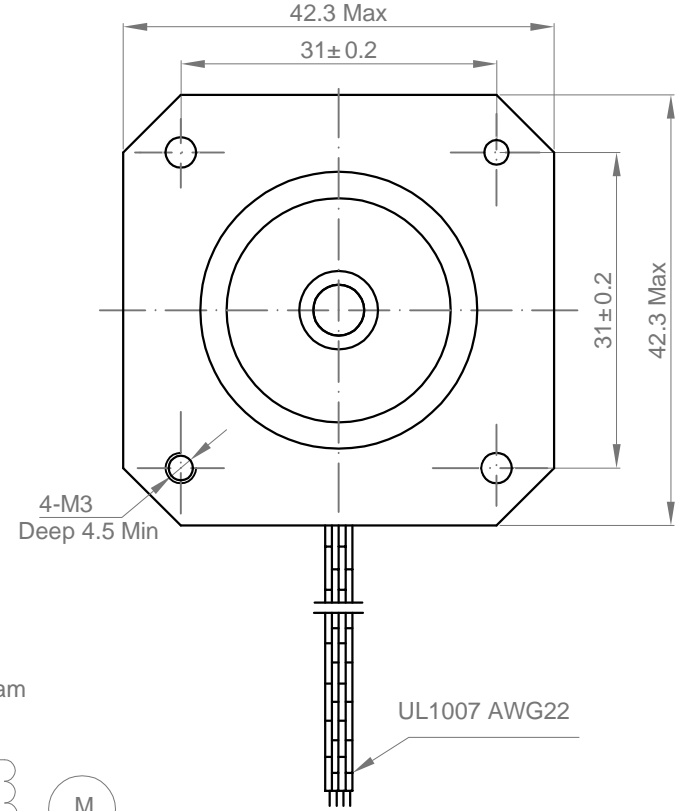
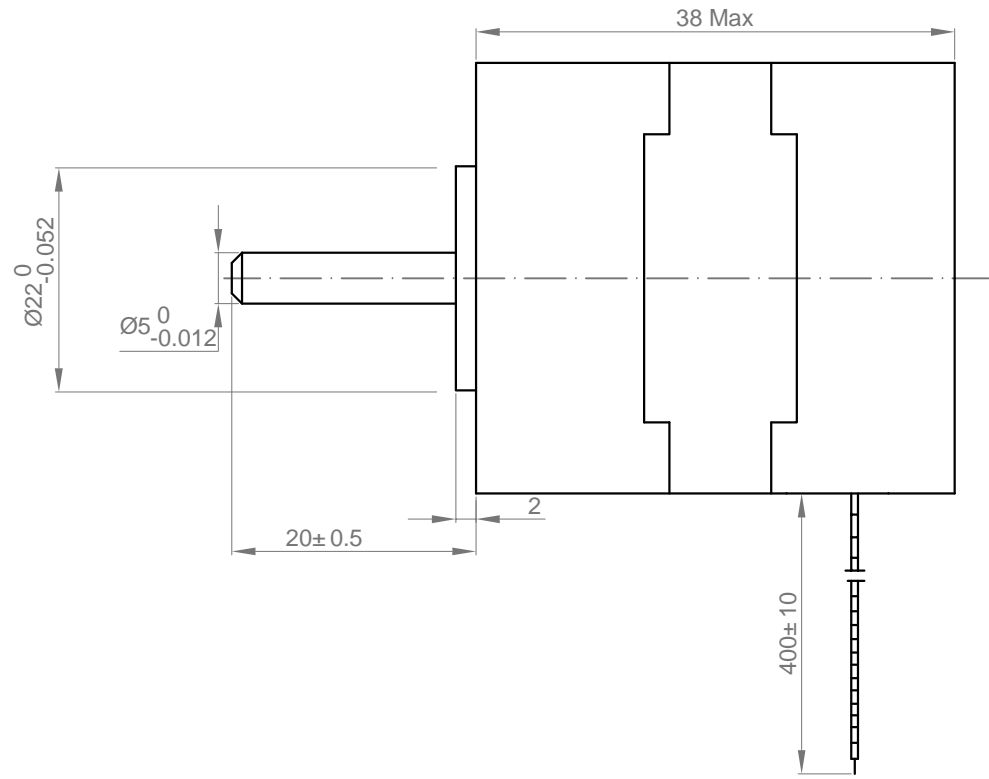


Rev.	Description	Date
01	Release for production	2/28/2012



NO.	Item	Specification	NO.	Item	Specification
1	Step Angle	1.8°	7	Insulation Class	B
2	Rated Voltage	12 V	8	Number of Phase	2
3	Current	0.4 A	9	Detent Torque	0.15 Kg.cm
4	Resistance	30 ± 10% Ω/Phase	10	Rotor Inertia	150 g.cm ²
5	Inductance	37 ± 20% mH/Phase			
6	Holding Torque	2.6 Kg.cm			

Drawn	Shelly	2/28/2012	Unit: mm	
Checked	Sara	2/28/2012		
Eng Appr.			Kysan Electronics www.kysanelectronics.com info@kysanelectronics.com	
Mfg Appr.				
Q.A.				
SKU		1040060	Size A4	Weight(Kg): 0.25
			Scale: 3:1	