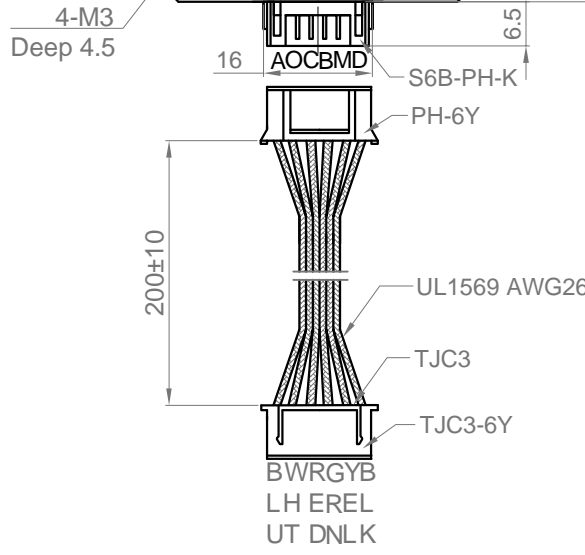
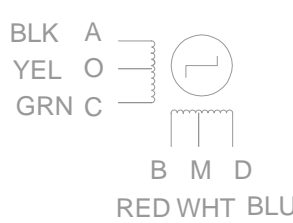
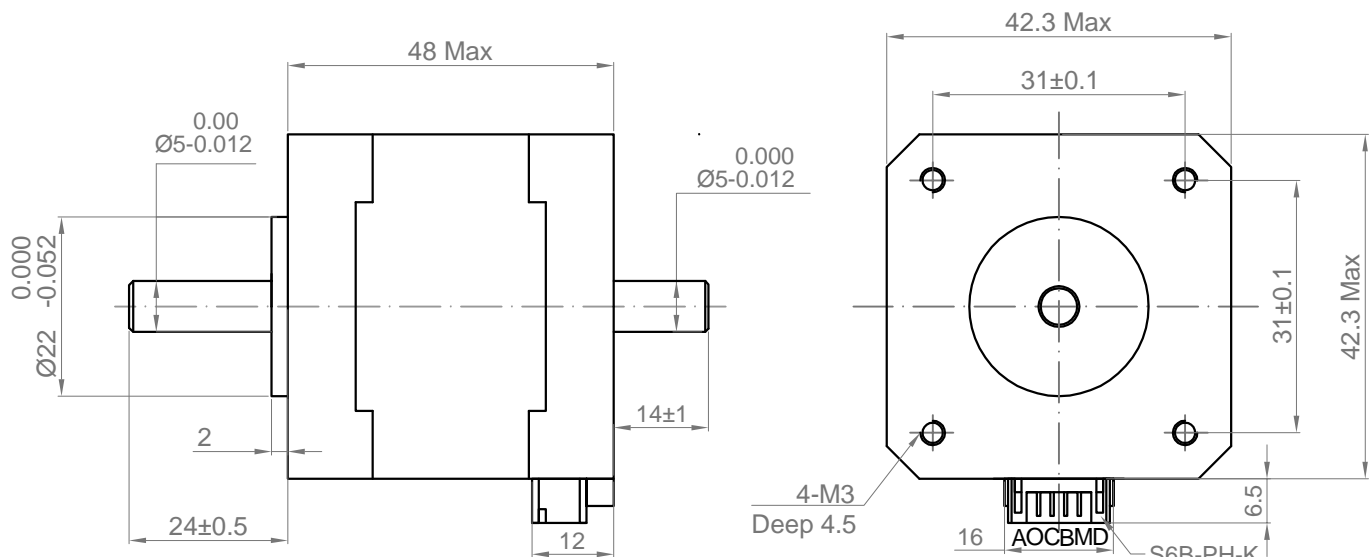


| Rev. | Description | Date |
|------|------------------------|------------|
| 01 | Release for Production | 11/22/2013 |



| NO. | Item | Specification | NO. | Item | Specification |
|-----|----------------------|---------------|-----|-----------------------|----------------------|
| 1 | Step Angle | 1.8°±5% | 7 | Insulation Class | Class B |
| 2 | Rated Voltage | 12 V | 8 | Rotor Inertia | 72 g.cm ² |
| 3 | Rated Current | 0.4 A | 9 | Holding Torque | 350 mN.m |
| 4 | Resistance Per Phase | 30 Ω ±10% | 10 | Detent Torque | 200 g.cm |
| 5 | Inductance Per Phase | 28 mH ±10% | 11 | Insulation Resistance | 100MΩmin(500VDC) |
| 6 | Number of Phase | 4 | | | |

| | | | | | |
|-----------|----------------|------------|-----------------------------------------------------------------------------------|------------------|-------------|
| Drawn | Gimy | 11/22/2013 | Kysan Electronics www.kysanelectronics.com info@kysanelectronics.com | | |
| Checked | Sara | 11/22/2013 | | | |
| Eng Appr. | | | | | |
| Mfg Appr. | | | | | |
| Q.A. | | | | | |
| SKU | 1040091 | | Size : A4 | Weight(Kg): 0.38 | Unit: mm |
| | | | Scale: 2:1 | | Sheet 1of 1 |