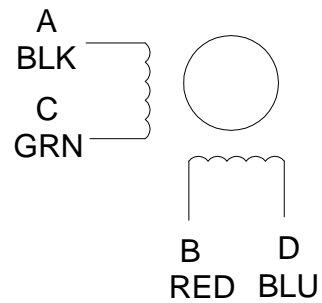
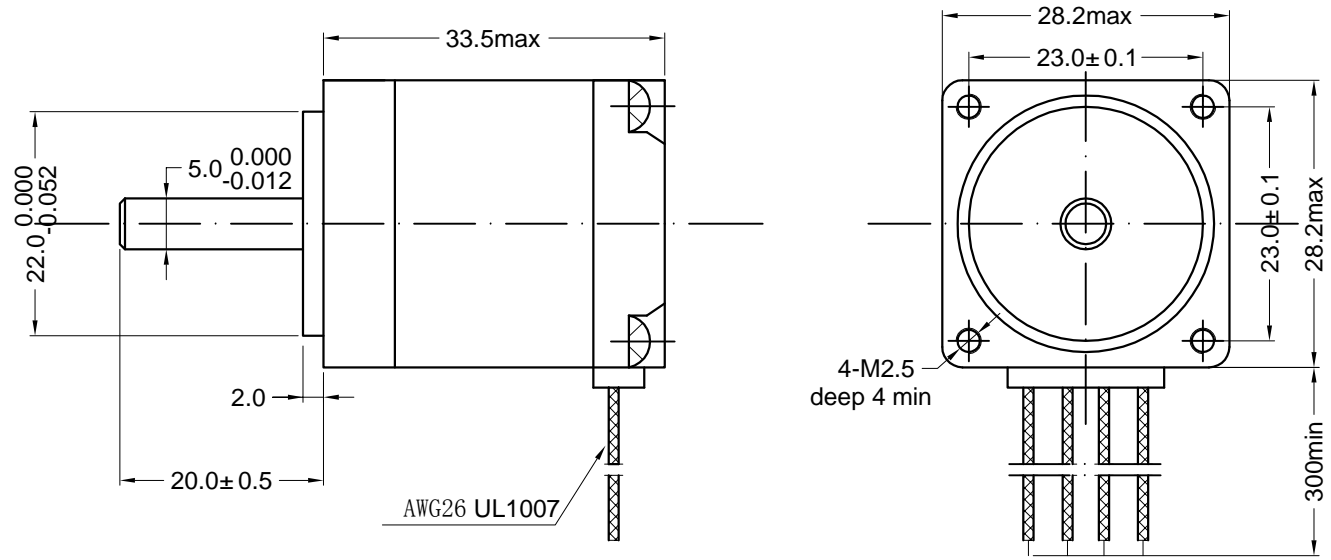


NO	ITEM	SPECIFICATION
1	Stop Angle	1.8° ± 5%
2	Number of Phase	2
3	Insulation Resistane	100MΩmin.(500V DC)
4	Insulation Class	Class B
5	Rotor Inertia	9g.cm ²
6	Mass	0.12Kg
7	Rated Voltage	3.9V
8	Rated Current	0.67A
9	Resistane Per Phase	5.8Ω
10	Inductance Per Phase	3.2mH
11	Holding Torque	6N.cm
12	Detent Torque	25g.cm

Rev.	Revision	Date
01	Update	2/28/2011



DRAWN	Alex	2/28/2011
CHECKED	Sara	2/28/2011
ENG APPR.		
MFG APPR.		
Q.A.		

28SH32-0674A

UNIT: mm		
Kysan Electronics		
SIZE A4	Kysan SKU 1040182	REV 01
SCALE: 2:1	Weight(kg): 0.12	SHEET 1 OF 1