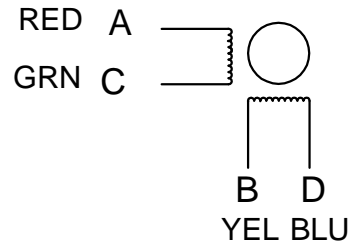
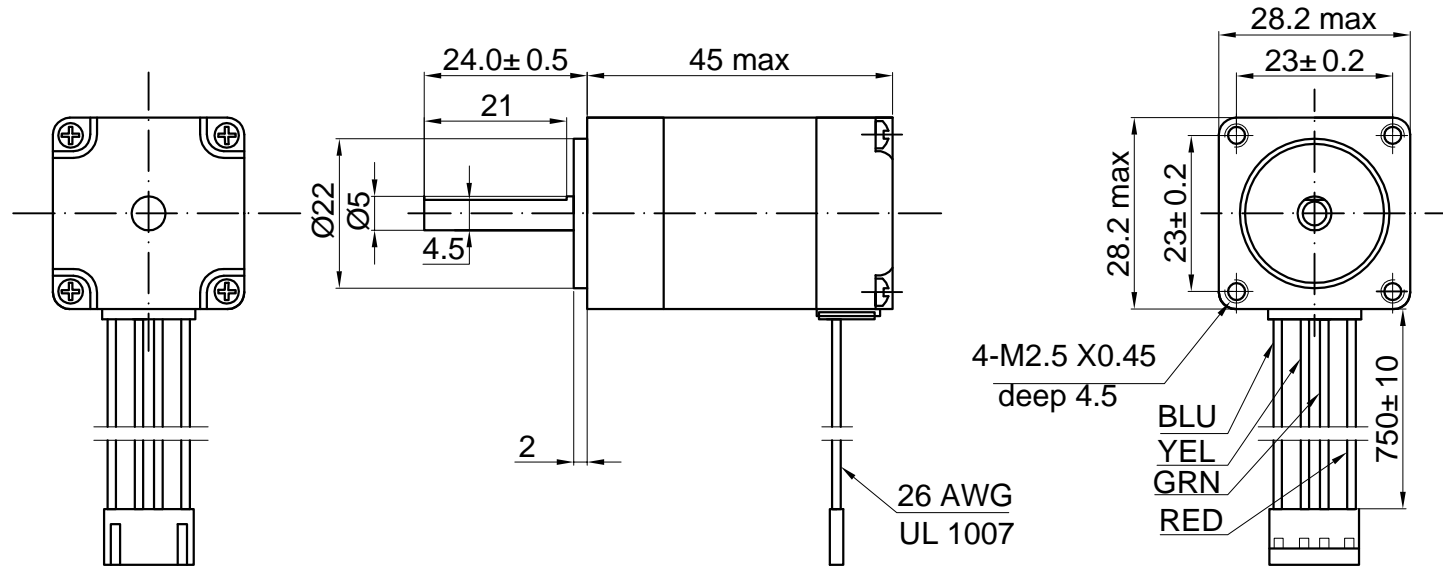


NO.	ITEM	SPECIFICATION
1	Step Angle	1.8°
2	Rated Voltage	4.56 V
3	Rated Current	0.67 A
4	Resistance Per Phase	6.8 Ω
5	Inductance Per Phase	4.9 mH
6	Porlarity	Bipolar
7	Rotor Inertia	12 g.cm <sup>2</sup>
8	Holding Torque	950 g.cm

Rev.	Revision	Date
01	Update	6/14/2011



DRAWN	Amily	6/14/2011
CHECKED	Sara	6/14/2011
ENG APPR.		
MFG APPR.		
Q.A.		

28BYGH301-D750C

UNIT: mm		
Kysan Electronics		
SIZE A4	Kysan SKU 1040198	REV 01
SCALE: 2:1	Weight(kg): 0.15	SHEET 1 OF 1