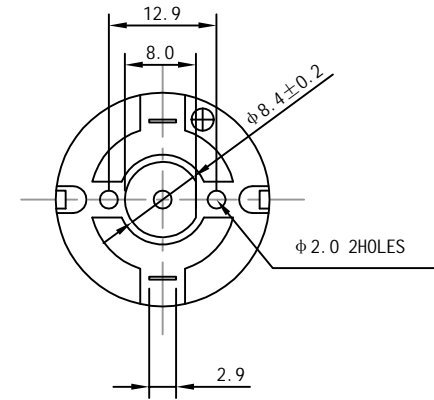
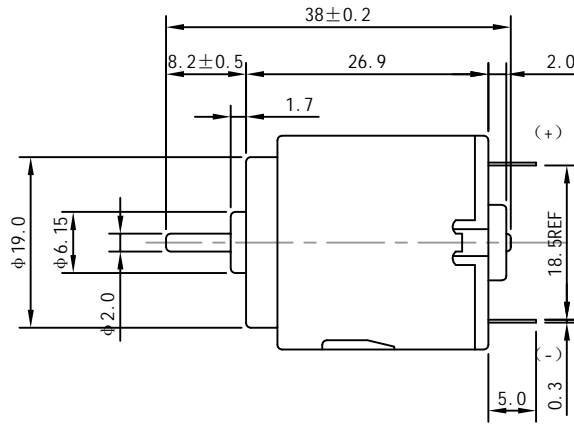
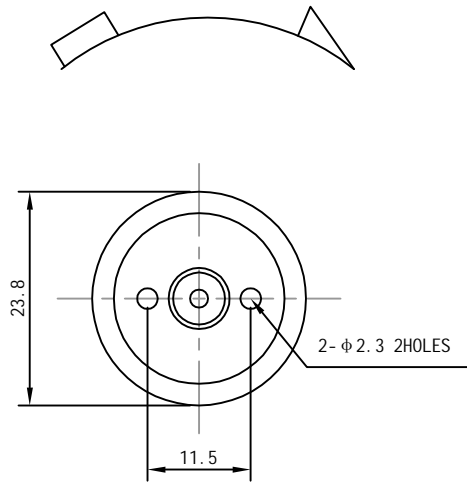


# Direction of Rotation



No.	Item	Specification	No.	Item	Specification
1	Rated Voltage	1.5V DC	7	Stall Current	≤1.5A
2	Rated Load	10g.cm	8	Stall Torque	≥50g.cm
3	No Load Current	≤180mA	9	Direction of Rotation	CW
4	No Load Speed	5100±10%RPM	10		
5	Rated Load Current	≤500mA	11		
6	Rated Load Speed	3700±10%RPM			

Drawn	Bruce	07/19/2023	Unit: mm		
Checked	Eva	07/19/2023	Kysan Electronics www.kysanelectronics.com		
Eng Appr.					
Mfg Appr.					
Q.A.					
SKU: 1111001			Size :A4	Weight(Kg):	
			Scale :		