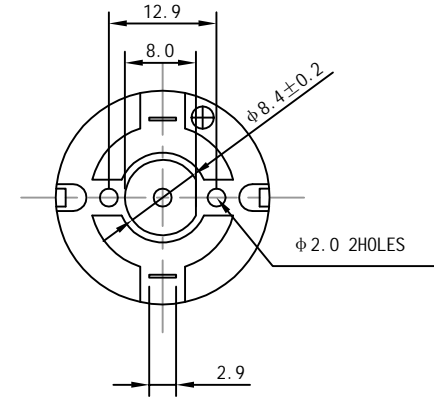
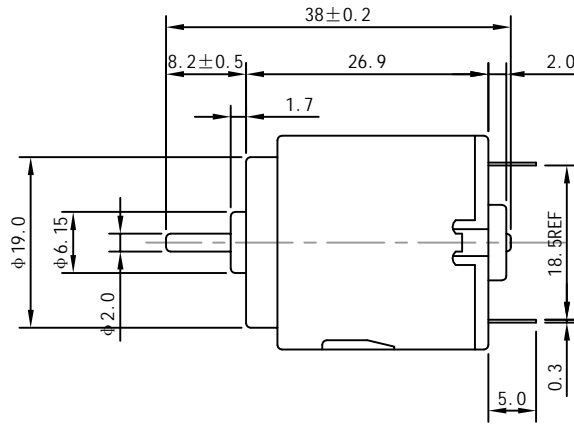
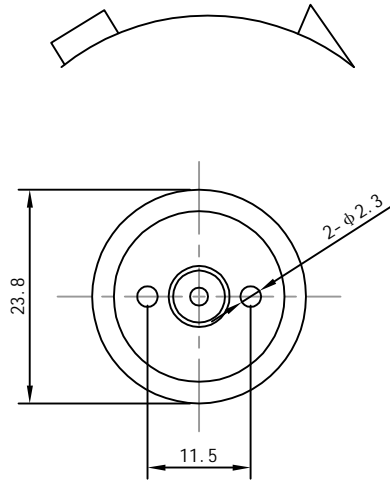


Direction of Rotation



No.	Item	Specification	No.	Item	Specification
1	Rated Voltage	12V DC	7	Stall Current	≤0.35A
2	Rated Load	10g.cm	8	Stall Torque	≥42g.cm
3	No Load Current	≤35mA	9	Direction of Rotation	CW
4	No Load Speed	7500±10%RPM	10		
5	Rated Load Current	≤100mA	11		
6	Rated Load Speed	5500±10%RPM			

Drawn	Bruce	07/03/2023	Unit: mm	
Checked	Eva	07/03/2023	Kysan Electronics www.kysanelectronics.com	
Eng Appr.				
Mfg Appr.				
Q.A.				
SKU: 1111027			Size :A4	Weight(Kg):
			Scale :	