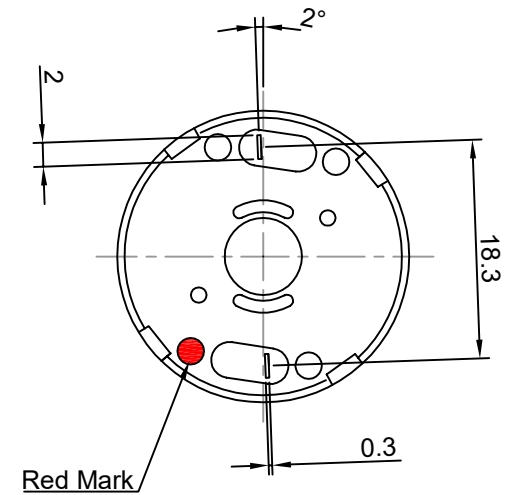
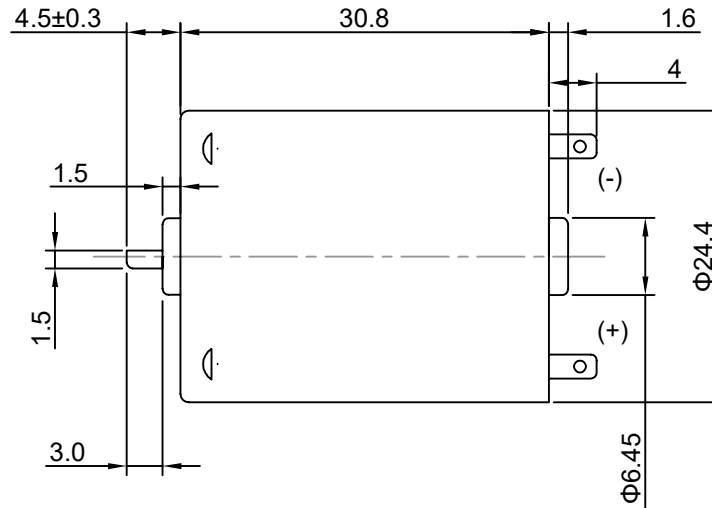
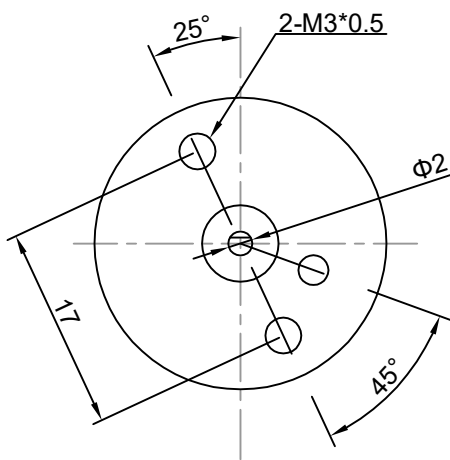


Direction Of Rotation



No.	Item	Specification	No.	Item	Specification
1	Rated Voltage	7.2V DC	7	Rated Load	20g.cm by pulley load
2	Voltage Range	4.5-9.6V DC	8	Brush	Carbon Brushes
3	No Load Current	280mA Max	9	Shaft end play	0.02-0.35mm
4	No Load Speed	16500±10%RPM	10		
5	Rated Load Current	800mA Max			
6	Rated Load Speed	14500±10%RPM			

Drawn	Tony	04/17/2026	Unit: mm		
Checked	Eva	04/17/2026	Kysan Electronics www.kysanelectronics.com		
Eng Appr.					
Mfg Appr.					
Q.A.					
SKU: 1112081			Siae: A4	Weight(Kg):	Approx 46.2g
			Scale		