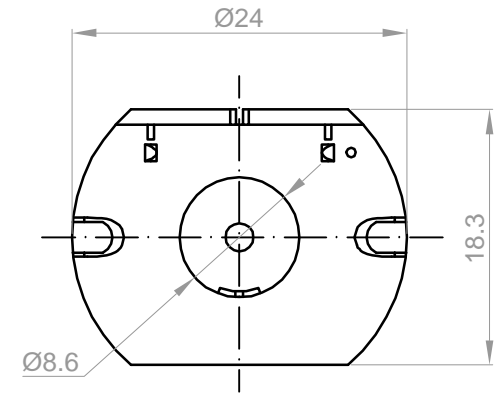
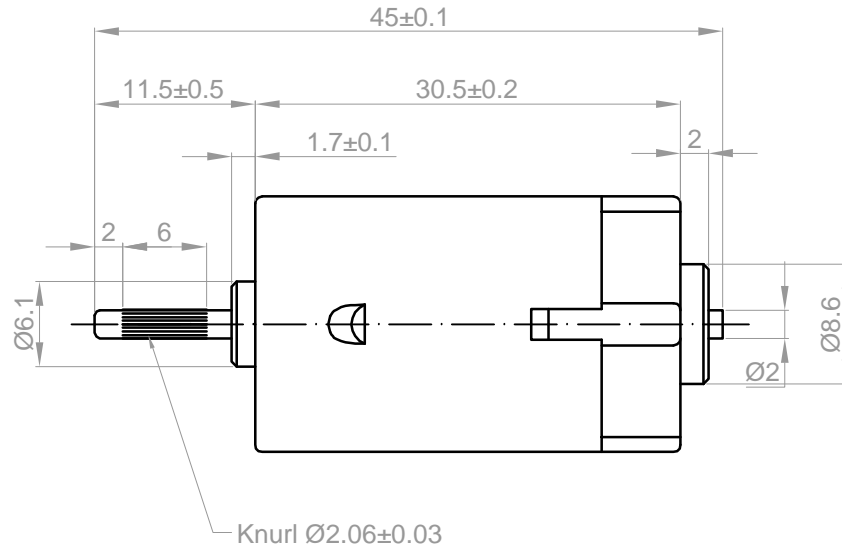
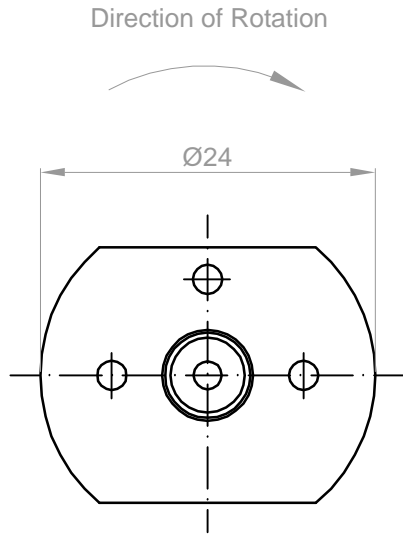


Rev.	Description	Date
01	Release for Production	06/27/2012



NO.	Item	Specification	NO.	Item	Specification
1	Rated Voltage	12 VDC	7	Starting Voltage	
2	No Load Speed	13100RPM	8	Insulation Resistance	
3	No Load Current		9	Dielectric Strength	
4	Rated Speed		10	Stall Torque	
5	Rated Current		11	Stall Current	
6	Rated Torque		12	Shaft End Play	

Drawn	Feny	06/27/2012
Checked	Sara	06/27/2012
Eng Appr.		
Mfg Appr.		
Q.A.		
SKU 1112146		

<b>Kysan Electronics</b>		
www.kysanelectronics.com		
info@kysanelectronics.com		
Size A4	Weight(Kg):	Unit: mm
Scale: 4:1		Sheet1 of 1