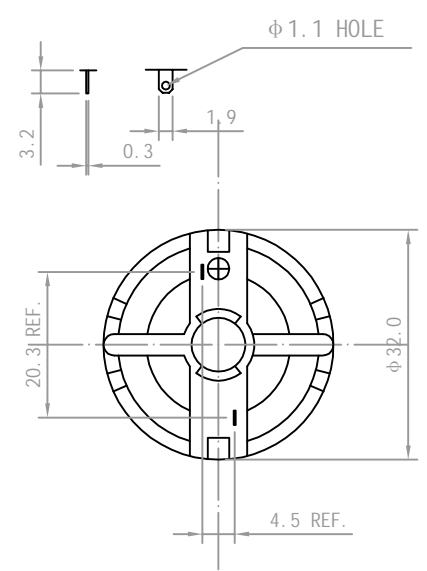
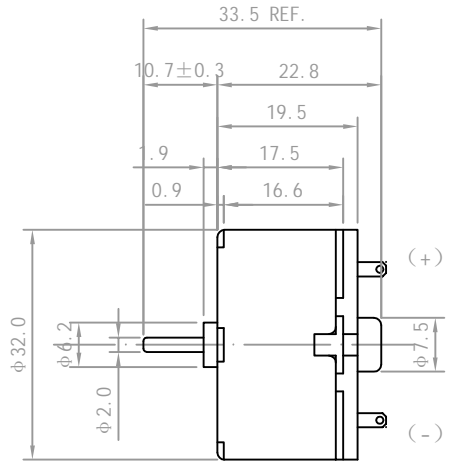
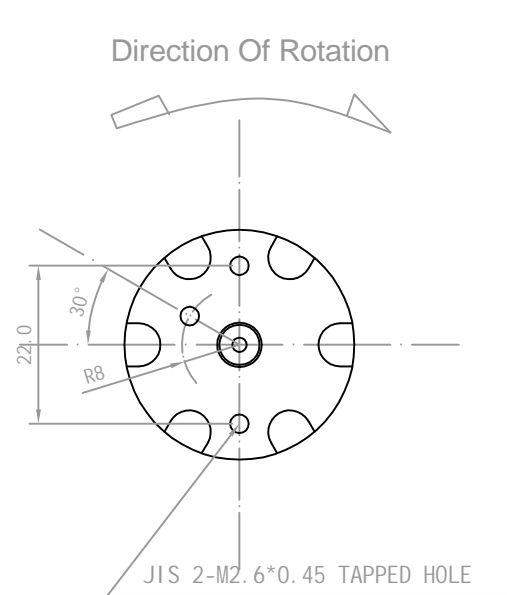


Rev.	Description	Date
01		



No.	Item	Specification	No.	Item	Specification
1	Starting Voltage	<1.0V DC	7	Stall Current	≤0.65A
2	Rated Voltage	6V DC	8	Stall Torque	≥85g.cm
3	No Load Speed	3700±10%rpm			
4	No Load Current	≤30mA			
5	Rated Speed	3000±10%rpm			
6	Rated Current	≤130mA			

Drawn	Bruce	04/16/2019	Unit: mm		
Checked			Kysan Electronics		
Eng Appr.			www.kysanelectronics.com		
Mfg Appr.			info@kysanelectronics.com		
Q.A.					
SKU: 1112157			Size :A4	Weight(Kg):	
			Scale 1:1		