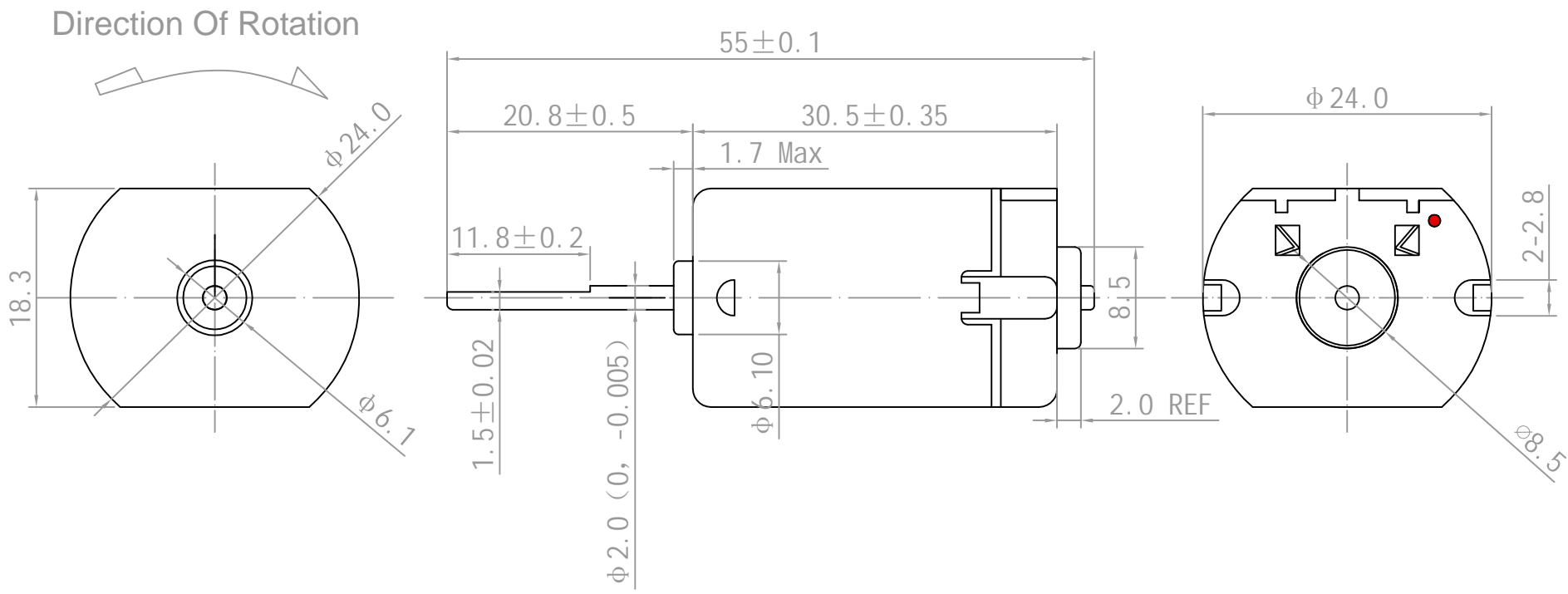


| | | |
|------|-------------|------|
| Rev. | Description | Date |
| 01 | | |



| No. | Item | Specification | No. | Item | Specification |
|-----|--------------------|----------------------|-----|-----------------------|---------------|
| 1 | Rated Voltage | 12V DC | 7 | Output Power | 5.15W |
| 2 | No Load Speed | $13800 \pm 10\%$ rpm | 8 | Stall Current | 4.05A |
| 3 | No Load Current | 0.15 A Max | 9 | Stall Torque | 332 g.cm |
| 4 | Rated Load Speed | $12000 \pm 10\%$ rpm | 10 | Direction Of Rotation | CW |
| 5 | Rated Load Current | 0.7 A Max | | | |
| 6 | Rated Torque | 42 g.cm | | | |

| | | | | |
|-----------|-------|------------|--|---------------|
| Drawn | Bruce | 12/27/2018 | Unit: mm | |
| Checked | | | Kysan Electronics www.kysanelectronics.com info@kysanelectronics.com | |
| Eng Appr. | | | | |
| Mfg Appr. | | | | |
| Q.A. | | | | |
| SKU: | | | Size :A4 | Weight(g):39g |
| 1112163 | | | Scale 2:1 | |