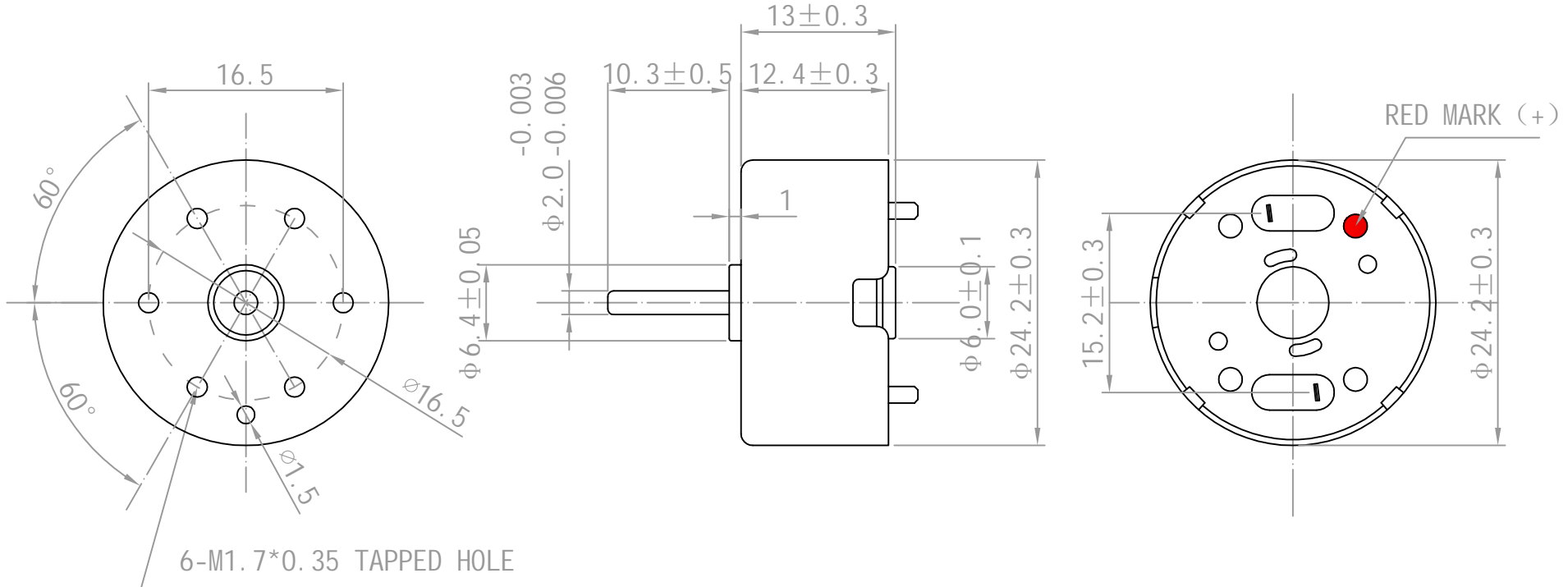


Rev.	Description	Date
01		



No.	Item	Specification	No.	Item	Specification
1	Operating Voltage	2.0-4.0V DC	7	Rated Load	2.0g. cm
2	Rated Voltage	3V DC	8	Stall Current	200mA Max
3	No Load Speed	$3000 \pm 10\%$ rpm	9	Stall Torque	7g. cm
4	No Load Current	15mA Max			
5	Rated Speed	1900 ± 228 rpm			
6	Rated Current	80mA Max			

Drawn	Bruce	12/14/2017	Unit: mm	
Checked	Eva	12/14/2017	Kysan Electronics www.kysanelectronics.com info@kysanelectronics.com	
Eng Appr.				
Mfg Appr.				
Q.A.				
SKU: 1112312			Size :A4	Weight(Kg):
			Scale 2:1	