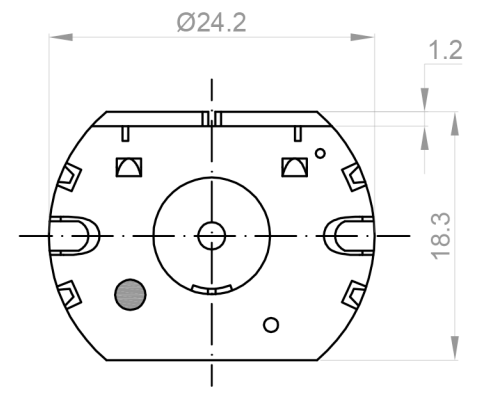
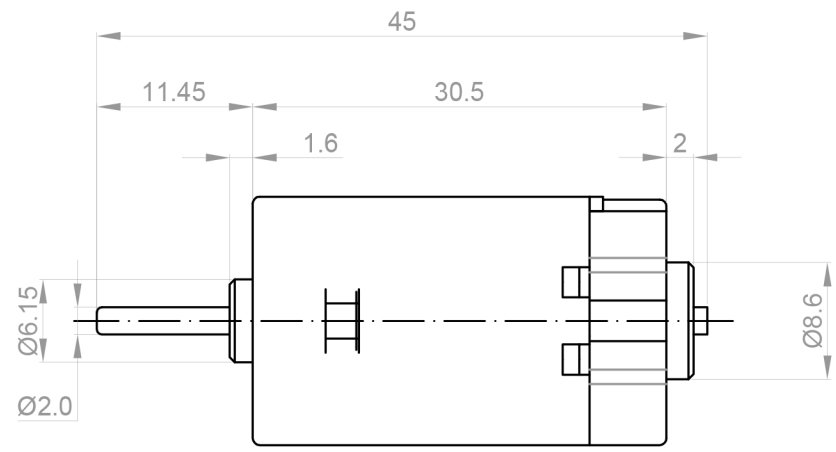
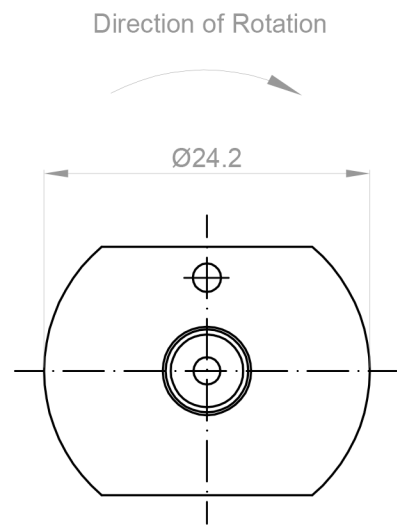


Rev.	Description	Date
01	Release for Production	06/27/2012



NO.	Item	Specification	NO.	Item	Specification
1	Rated Voltage	12 VDC	7	Stall Torque	5.56 A Max
2	No Load Speed	13100±10%RPM	8	Stall Current	38.6 mN·M
3	No Load Current	0.11 A Max	9		
4	Rated Speed	11480±10%RPM	10		
5	Rated Current	0.78 A Max	11		
6	Torque (EFF)	4.76 mN·M	12		

Drawn	L	11/07/2016
Checked		
Eng Appr.		
Mfg Appr.		
Q.A.		
SKU	1112652	

Kysan Electronics
www.kysanelectronics.com
info@kysanelectronics.com

Size A4	Weight(Kg):	Unit: mm
Scale: 4:1		Sheet1 of 1