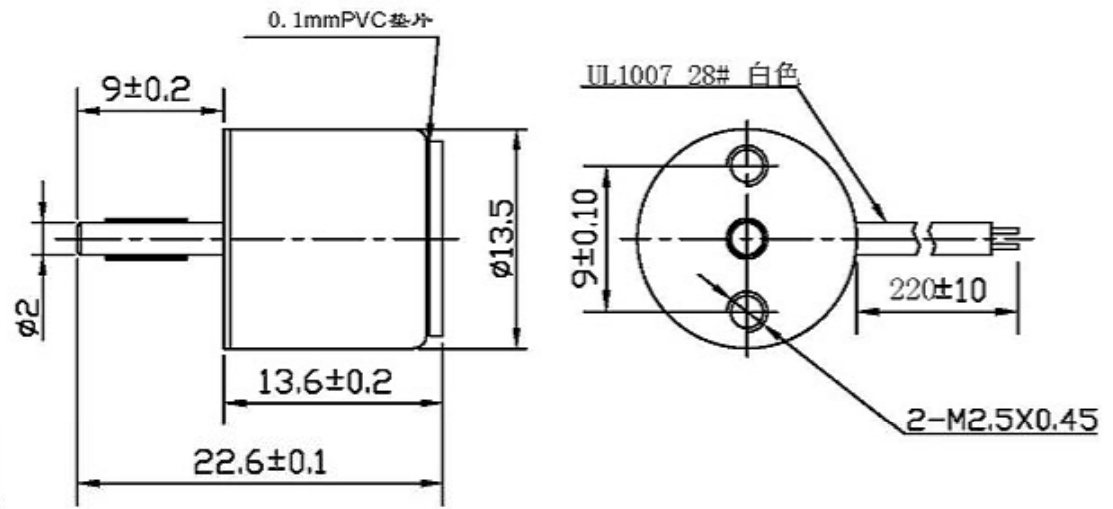


Rev.	Description	Date
01		

## SOLENOID SPECIFICATION

<b>额定参数 (RATED PARAMETER)</b>
1. 电压 (VOLTAGE): 06 DCV 2. 电流 (CURRENT): 0.2 A 3. 功率 (WATTAGE): 1.2 W 4. 直流电阻 (DC RESISTANCE): $30\Omega \pm 10\%$ (20°C) 5. 工作循环 (DUTY CYCLE): 50% ED 6. 绝缘等级 (INSULATION CLASS): <u>F 155°C</u> 7. 其他要求 (OTHER REQUIREMENTS):
<b>力量要求</b>
测试条件: 06 DCV (20°C)  残留吸引力 RESIDUAL MAGNETISM: 滑杆重量+10g 以下. 吸引力 ATTRACTION FORCE: 0.5 mm 大于等于 40G
<b>电气特性 ELECTRICAL CHARACTERISTICS</b>
1. 绝缘电阻 INSULATION RESISTANCE: 线圈和框架间 BETWEEN COIL AND FRAME $100M\Omega$ 500DCV 2. 耐电压 DIELECTRIC STRENGTH: 线圈和框架间 600ACV (50/60Hz) 1 Sec 10 mA 3. 温升 TEMPERATURE RISE: Max 65 °C ( 6 DCV, ON 1 Sec OFF 4 Sec, 30 Min) 4. 寿命 LIFE: <u>100, 000</u> (20°C 6 DCV ON 1 Sec OFF 4 Sec) 6. 电线与线圈的强度 COIL AND LEAD WIRE STRENGTH: 0.3kgf 7. 工作环境 OPERATING ENVIRONMENTS: -25°C ~ 55°C / 5%RH ~ 85%RH



Drawn	Bruce	08/30/2022	Unit: mm	
Checked			<b>Kysan Electronics</b>  www.kysanelectronics.com info@kysanelectronics.com	
Eng Appr.				
Mfg Appr.				
Q. A.				
SKU: 1121044			Size :A4	Weight (Kg):
			Scale	