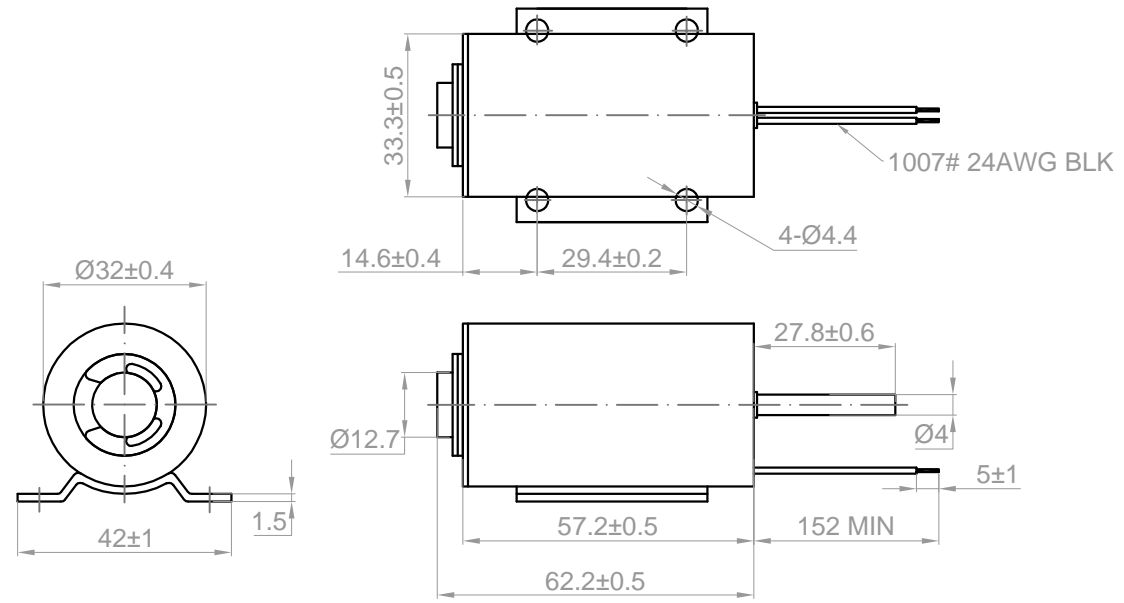


Rev.	Description	Date
01	Release for Production	01/17/2013



Note:
 1. Rated Voltage: 12 VDC
 2. Rated Power: 13W
 3. DC Resistance: 11.07Ω±10% at20°C

Drawn	L	08/08/2016	Kysan Electronics www.kysanelectronics.com info@kysanelectronics.com	
Checked				
Eng Appr.				
Mfg Appr.				
Q.A.				
SKU	1121061		Size : A4	Weight(g): 44
			Scale: 3:1	
				Sheet 1of 1