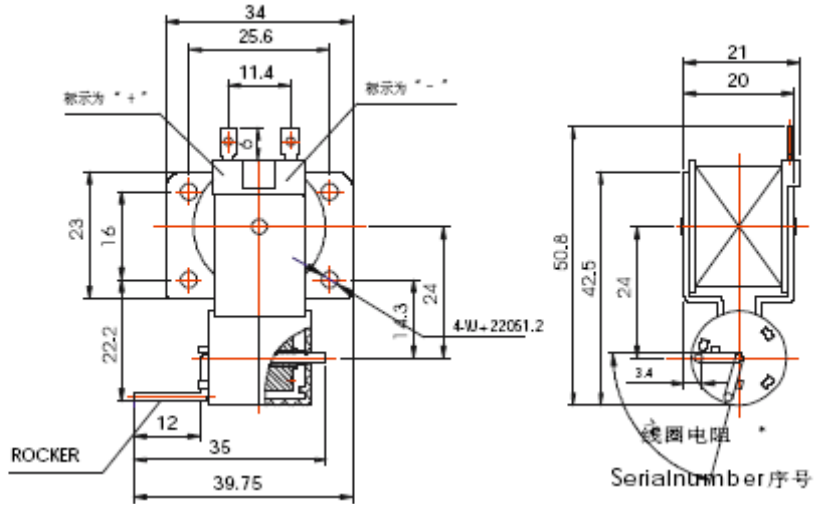
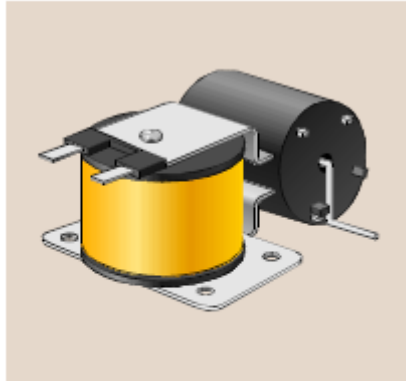


KYSAN SKU: 1121067, 1121068, 1121069, 1121070
 MFG: SEB1-06A, 12A, 24A, 48A
 Rotary Solenoids



This solenoid is used for component of coin-phone. When polarity of power supply is changed, the rocker will move to another position.
 The torque of rocker: when voltage is DC 3V, the torque is 18gf X r

动作周期 (100%) ON时间/ON时间+ OFF时间 Dutycycle(100%) "ON*time"/"ON*time+"OFF*time		100%	50%	25%	10%
		连通 continuous	间断 intermittent		
最大ON时间 (秒) MAX "ON"Time insecond		-	100	36	7
20°C 时的功率 wattat20°C		4	8	16	40
型号 TYPE Number	电阻 resistanceΩ	电压 volts D C			
SDB1-06A	9	6	8.5	12	19
SDB1-12A	36	12	17	24	38
SDB1-24A	144	24	34	48	76
SDB1-48A	576	48	68	96	152

1. 适用范围 (scope)

本规格书仅适用于SAVA的直流螺线管SDB1-12A36
 THIS SPECIFICATION APPLIES TO 哥伦比亚 OF A DC
 SOLENOID FOR AS SDB1-12A36

2. 标准试验条件 (STANDARD TEST CONDITION)

- 2-1 环境 (AMBIENCE) 周围温度 (AMBIENCE TEMP) : $20 \pm 2^{\circ}\text{C}$
 相对湿度 (RELATIVE HUMIDITY) : $65 \pm 5\%$
 大气压 (ATMOSPHERIC PRESSURE) : 1013mbar
- 2-2 电源 (POWER) 稳定电源 (电压变动 1mV_{rms} MAX)
 <STEADY POWER (RIPPLE VOLTAGE 1mV_{rms} MAX)>
- 2-3 试验方法 (TEST POSTURE)
 在额定电压DC12V下, 分别测量拨杆位于两个极限位置时通电所受的扭矩。

3. 外形图 (APPEARANCE)

3-1 外形尺寸: 参照附图。图号: SDB1-12A36
 (DIMENSION SEE THE ATTACHMENT. DRAWING NO. SDB1-12A36)

4. 额定参数 (RATED PARAMETER)

- 4-1 电 压 (VOLTAGE) : DC12V
 4-2 电 流 (CURRENT) : 0.33A (at DC12V 36Ω 20°C)
 4-3 功 率 (WATTAGE) : 4W
 4-4 使用电压范围: DC12V~DC14V
 4-5 直流电阻 (DC RESISTANCE) : $36 \Omega \pm 10\%$ (周围温度 20°C)
 4-6 工作循环 (DUTY CYCLE) : 连续通电 (CONTINUOUS)
 4-7 绝缘等级 (INSULATION CLASS) : A类 (A CLASS)

5. 电气特性 (ELECTRONICAL CHARACTERISTICS)

5-1 吸引力 (ATTRACTING FORCE)

运动方向	DC - 12V (起始位置/平行摆杆)	保持力 (DC=0V/垂直摆杆)
逆时针	$\geq 35\text{gf}$ (MIN)	$\geq 5\text{gf}$ (MIN)
顺时针	$\geq 35\text{gf}$ (MIN)	$\geq 5\text{gf}$ (MIN)

- 5-2 绝缘电阻 (INSULATION RESISTANCE) 线圈和框架间 $100\text{M} \Omega$ (DC500V 常规温度/湿度)
 BETWEEN COIL AND FRAME DC500V NORMAL
 TEMP/HUMIDITY, $100\text{M} \Omega$ MEGGER
- 5-3 耐电压 (DIELECTRIC STRENGTH) 线圈和框架间AC500V (50/60Hz) 1Min或
 AC600V (50/60Hz) 1Sec (击穿电流1mA)
 BETWEEN COIL AND FRAME AC500V (50/60Hz) 1Min OR
 AC600V (50/60Hz) 1Sec (1mA)
- 5-4 温 升 (TEMPERATURE RISE) 在额定电压DC12V下, 温升为 $65^{\circ}\text{C}_{\text{Max}}$
 AFTER DC12V APPLIED BY RESISTANCE METHOD 65 deg MAX
- 5-5 寿 命 (LIFE) 典型值为50万次 (连续通电)
 REPETITIVE OPERATION FOR 0.5 MILLION CYCLE (CONTINUOUS
 at DC 12V
- 5-6 工作温度、湿度 (OPERATING TEMP/HUMIDITY) $-5^{\circ}\text{C} \sim +45^{\circ}\text{C}$, $5\% \text{RH} \sim 85\% \text{RH}$