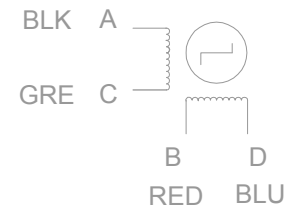
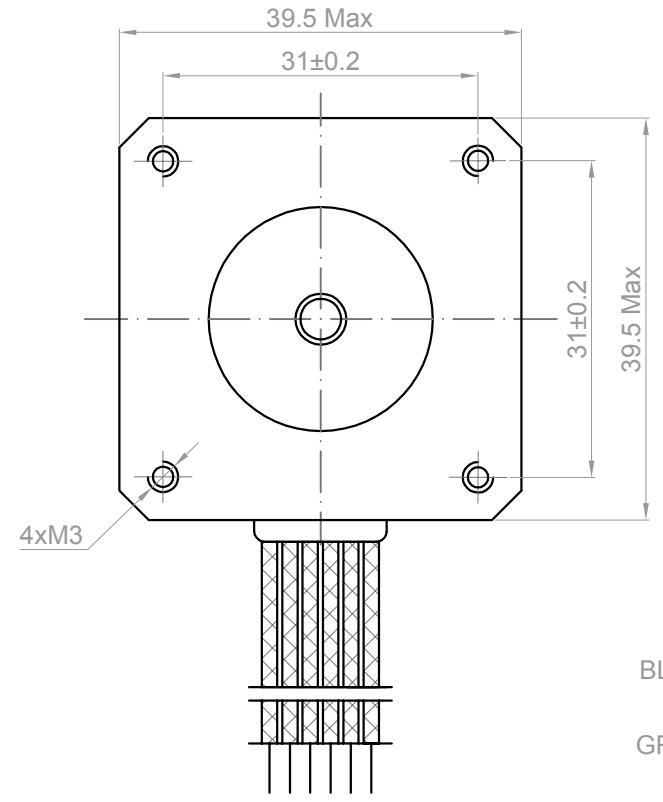
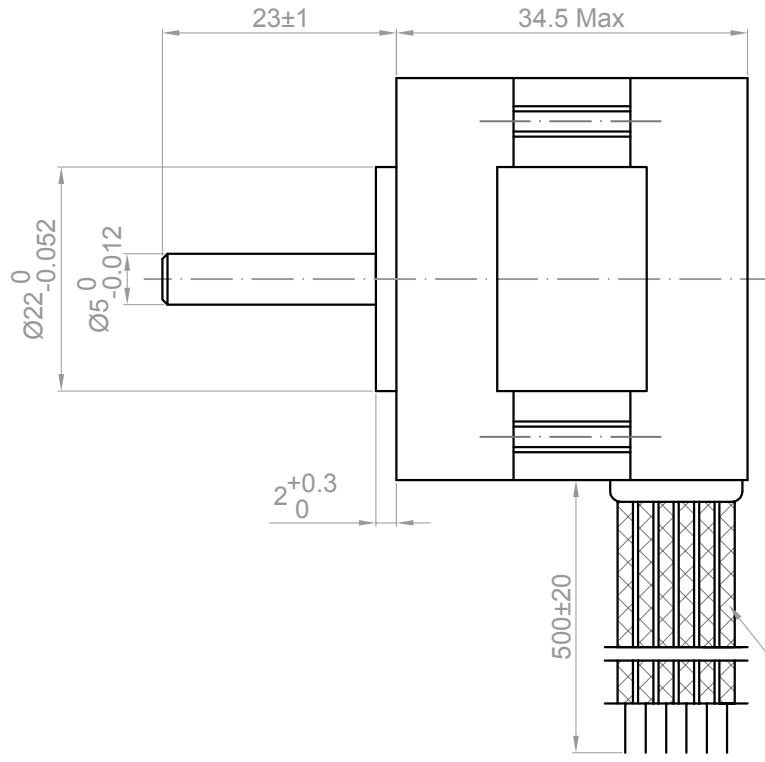


Rev.	Description	Date
01	Release for Production	08/13/2012



NO.	Item	Specification	NO.	Item	Specification
1	Step Angle	1.8°±5%	7	Holding Torque	1.8 Kg.cm Min
2	Rated Voltage	5 V	8	Insulation Class	B
3	Current Per Phase	1.0 A	9	Insulation Resistance	100 MΩ <500V DC>
4	Resistance Per Phase	5 Ω ±10% <20°C>			
5	Inductance Per Phase	5 mH ±20%			
6	Number of Phase	2			

Drawn	Feny	08/13/2012
Checked	Sara	08/13/2012
Eng Appr.		
Mfg Appr.		
Q.A.		
SKU	1122001	

**Kysan Electronics**

www.kysanelectronics.com

info@kysanelectronics.com

Size : A4	Weight(Kg): 0.16 Max	Unit: mm
Scale: 3:1		Sheet 1of 1