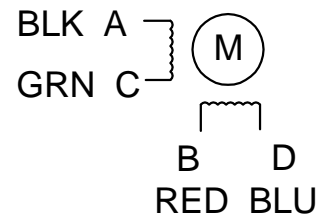
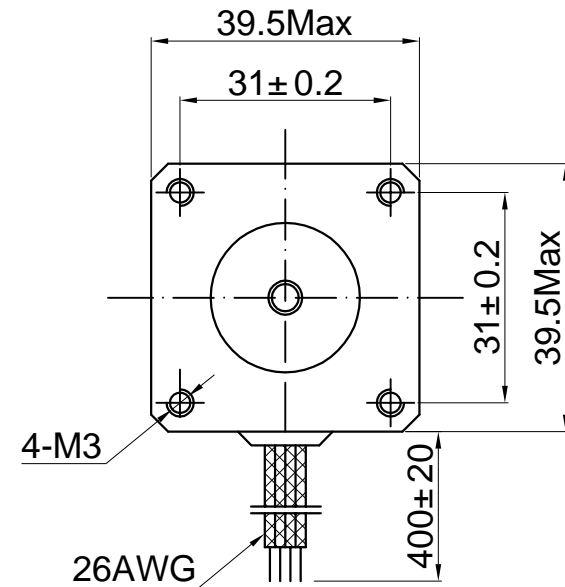
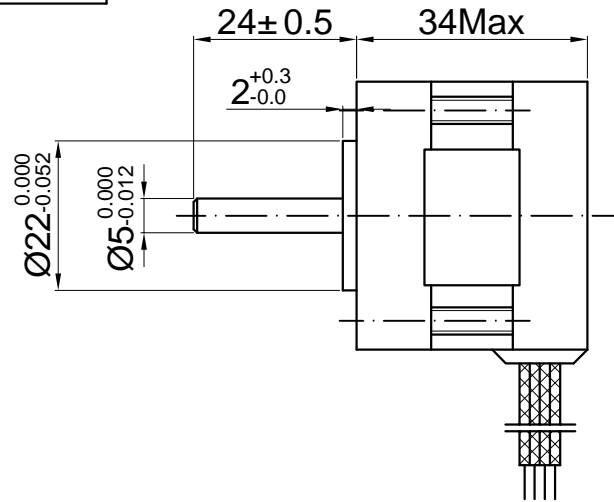


NO.	ITEM	SPECIFICATION
1	Step Angle	1.8° ± 5%
2	NO. of Phase	2
3	Rated Voltage	12V
4	Current Per Phase	0.4A
5	Resistance Per Phase	30± 10%Ω
6	Inductance Per Phase	32± 20% μ H
7	Holding Torque	2.1Kg-cm
8	Insulation Class	Class B
9	Insulation Resistance	100Mohm (500V DC)
10	Rotor Inertia	38g.cm ²

Rev.	Revision	Date
01	Update	3/22/2011



DRAWN	Kevin	3/22/2011
CHECKED	Sara	3/22/2011
ENG APPR.		
MFG APPR.		
Q.A.		

UNIT: mm

Sinotech

39BYG401A

SIZE
A4

P/N
237472

REV
01

SCALE: 2:1

Weight(kg):

SHEET 1 OF 1