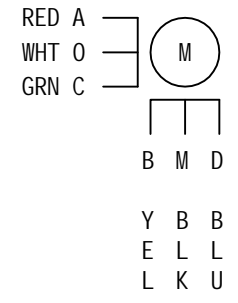
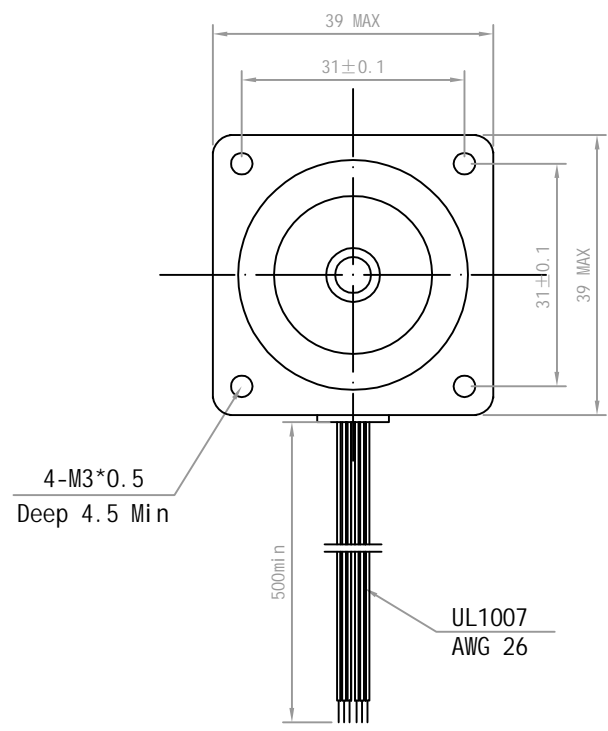
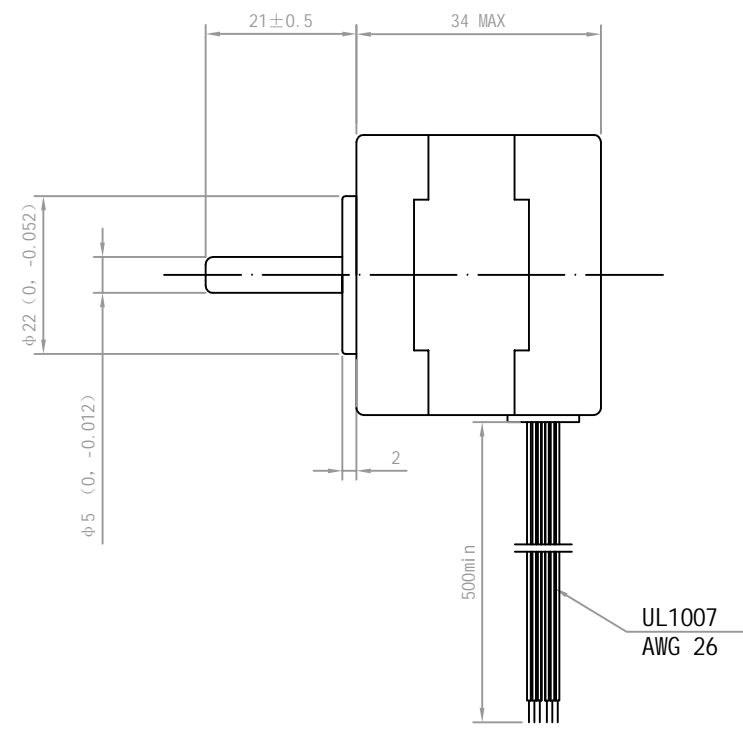


Rev.	Description	Date
01		



No.	Item	Specification	No.	Item	Specification
1	Number of Phase	4	7	Insulation Class	B
2	Step Angle	1.8°	8	Insulation Resistance	100M Ω (500VDC)
3	Rated Voltage	12V DC	9	Holding Torque	1.3Kg. cm
4	Rated Current	0.3A/Phase	10	Ambient Temperature	-20° C~+50° C
5	Resistance Per Phase	40 Ω ±10%	11	Temperature Rise	80° C Max.
6	Inductance Per Phase	20mH ±20%			

Drawn	Bruce	01/25/2018	Unit: mm	
Checked	Eva	01/25/2018	Kysan Electronics www.kysanelectronics.com info@kysanelectronics.com	
Eng Appr.				
Mfg Appr.				
Q.A.				
SKU: 1122010			Size :A4	Weight(Kg):
			Scale 1:1	