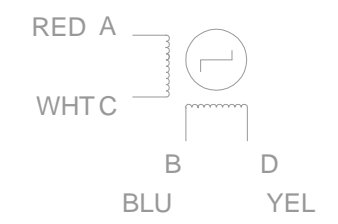
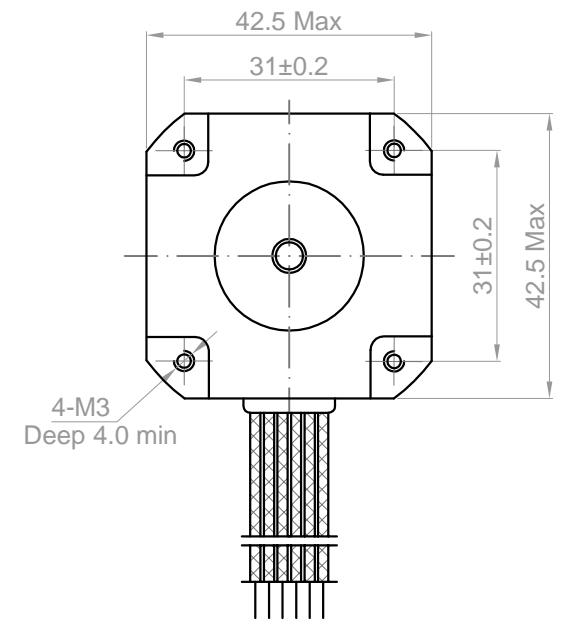
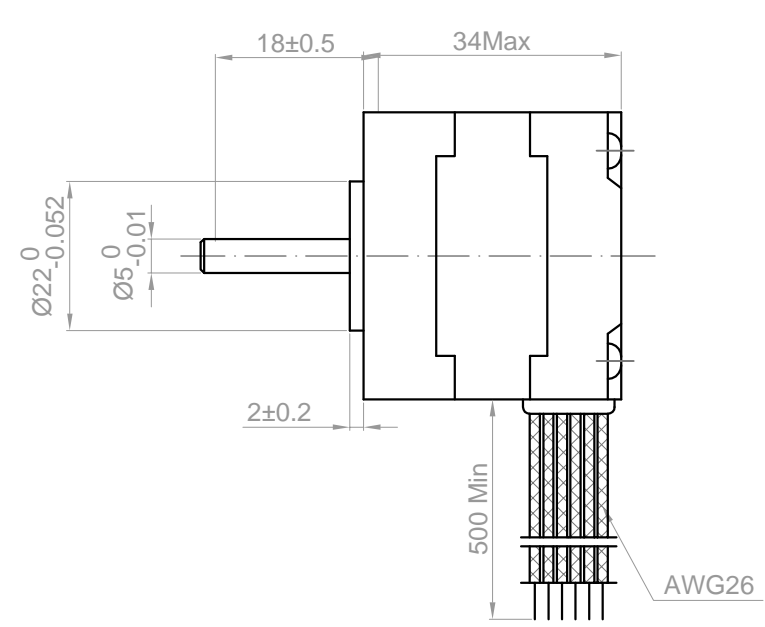


| | | |
|------|------------------------|------------|
| Rev. | Description | Date |
| 01 | Release for Production | 07/17/2014 |



| NO. | Item | Specification | NO. | Item | Specification |
|-----|----------------------|---------------|-----|-----------------------|-----------------|
| 1 | Stator | 42BYG017 | 7 | Holding Torque | 1.2 Kg.cm Max |
| 2 | Rated Voltage | 6.3 V | 8 | Insulation Class | B |
| 3 | Current Per Phase | 0.42 A | 9 | Insulation Resistance | 100MΩ <500V DC> |
| 4 | Resistance Per Phase | 15 Ω ±10% | | | |
| 5 | Inductance Per Phase | 16mH ±20% | | | |
| 6 | Number of Phase | 2 | | | |

| | | |
|-----------|----------|------------|
| Drawn | Joseph | 07/17/2014 |
| Checked | Lawrence | 07/17/2012 |
| Eng Appr. | | |
| Mfg Appr. | | |
| Q.A. | | |
| SKU | 1123003 | |

Kysan Electronics

www.kysanelectronics.com

info@kysanelectronics.com

Size : A4
Scale: 2:1

Weight(Kg):0.22 Max

Unit: mm
Sheet 1of 1