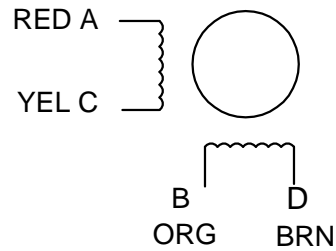
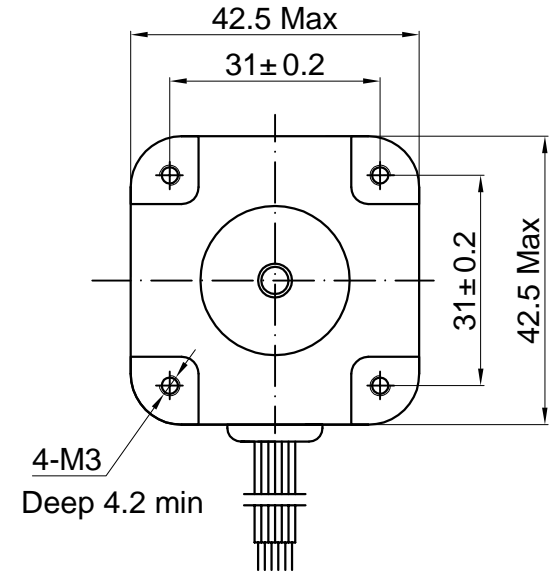
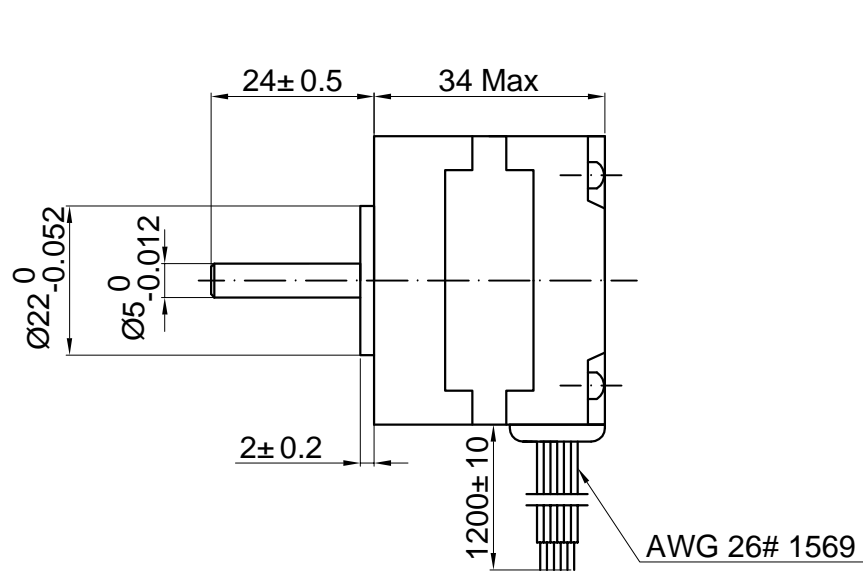


NO.	ITEM	SPECIFICATION
1	Step Angle	1.8°
2	Number of Phase	2
3	Insulation Resistance	100MΩmin(500VDC)
4	Insulation Class	Class B
5	Phase Voltage	14 V
6	Phase Current	0.4 A
7	Inductance Per Phase	44 mH± 20%
8	Resistance Per Phase	35 Ω± 10%
9	Holding Torque	2.2 Kg.cm
10	Rotor Inertia	20 g.cm ²

Rev.	Revision	Date
01	Update	8/10/2011



DRAWN	Amily	8/10/2011
CHECKED	Sara	8/10/2011
ENG APPR.		
MFG APPR.		
Q.A.		

UNIT: mm

Kysan Electronics

SKU 1123005	SIZE A4	Email to Info@kysanelectronics.com	REV 01
SCALE: 2:1	Weight(kg): 0.22	SHEET 1 OF 1	