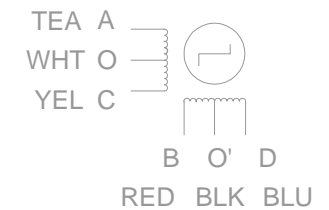
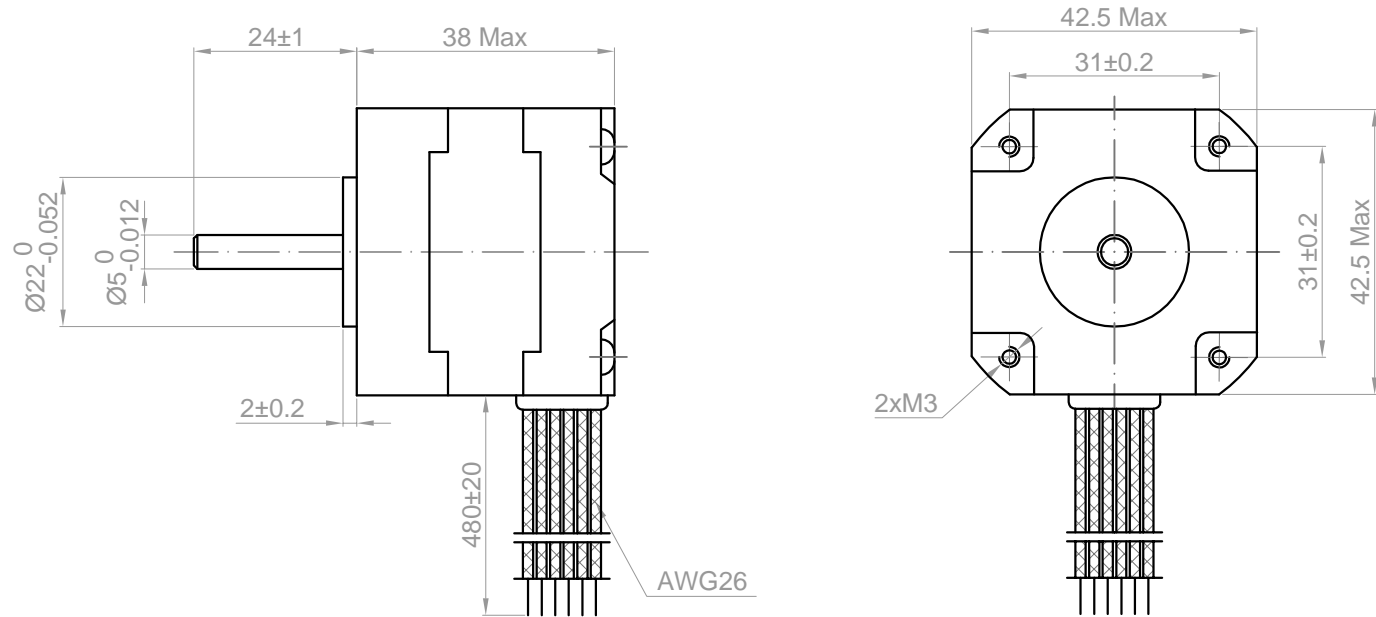


Rev.	Description	Date
01	Release for Production	08/14/2012



NO.	Item	Specification	NO.	Item	Specification
1	Stator	42BYG0XX	7	Holding Torque	2.0 Kg.cm Max
2	Rated Voltage	12 V	8	Insulation Class	B
3	Current Per Phase	0.4 A	9	Insulation Resistance	100M Ω <500V DC>
4	Resistance Per Phase	30 Ω $\pm 10\%$			
5	Inductance Per Phase	22 mH $\pm 20\%$			
6	Number of Phase	4			

Drawn	Feny	08/14/2012	Kysan Electronics www.kysanelectronics.com info@kysanelectronics.com		
Checked	Sara	08/14/2012			
Eng Appr.					
Mfg Appr.					
Q.A.					
SKU	1123007		Size : A4	Weight(Kg):0.24 Max	Unit: mm
			Scale: 2:1		Sheet 1 of 1