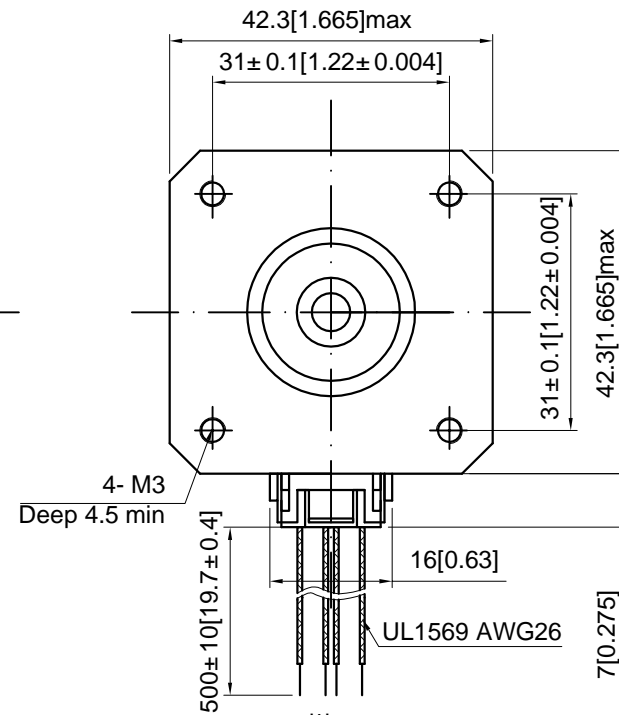
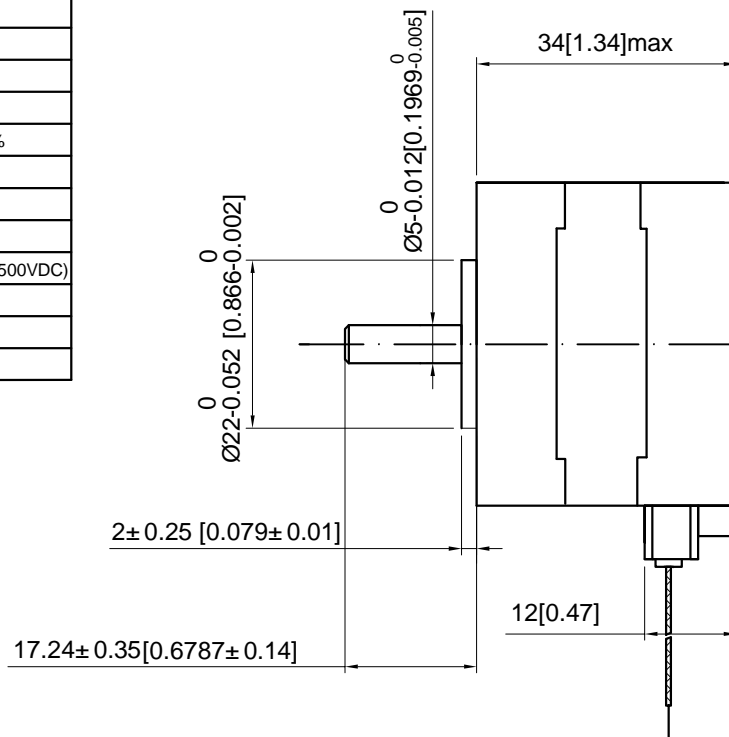


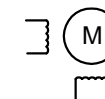
NO.	ITEM	SPECIFICATION
1	Rated Voltage	12V
2	NO. of Phase	2
3	Step Angle	1.8°
4	Resistance Per Phase	30Ω± 10%
5	Inductance Per Phase	32mH± 20%
6	Rated current	0.4A
7	Holding Torque	260mN.m
8	Insulation Class	Class B
9	Insulation Resistance	100Mohm(500VDC)
10	Mass	0.2kg
11	Detent Torque	12mN.m
12	Rotor Inertia	38g.cm ²

Rev.	Revision	Date
01	Update	1/18/2011



RED
ORANGE
YELLOW
BROWN

A RED
C YEL



B D
ORA BRO

DRAWN	Gordon	1/18/2011
CHECKED	Sara	1/18/2011
ENG APPR.		
MFG APPR.		
Q.A.		

42BYG023

UNIT: mm

Kysan Electronics

SIZE
A4

Kysan SKU
1123008

REV
01

SCALE: 1.5:1

Weight(kg): 0.20

SHEET 1 OF 1