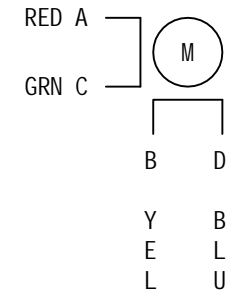
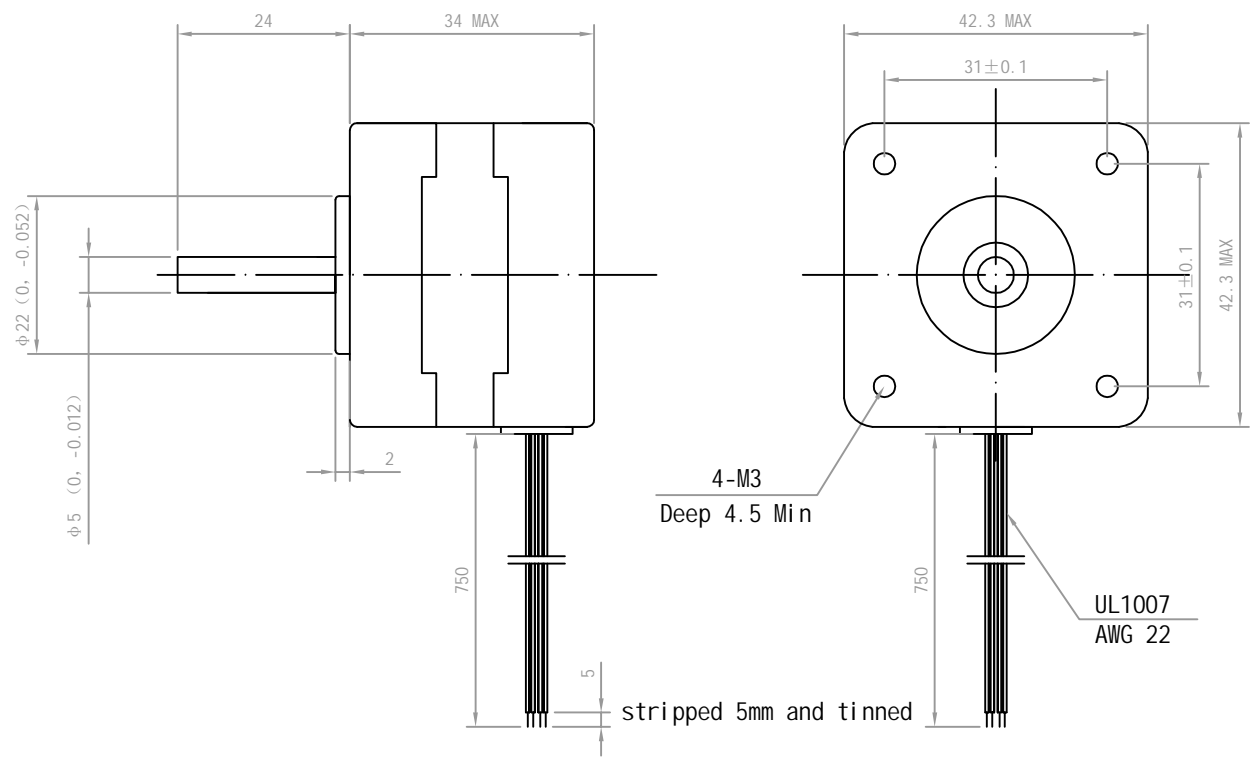


Rev.	Description	Date
01		



No.	Item	Specification	No.	Item	Specification
1	Number of Phase	2	7	Insulation Class	B
2	Step Angle	$1.8^\circ \pm 5\%$	8	Insulation Resistance	$100M \Omega (500VDC)$
3	Rated Voltage	3.24V DC	9	Holding Torque	2.4Kg.cm
4	Rated Current	1.2A/Phase			
5	Resistance Per Phase	$2.7 \Omega \pm 10\%$			
6	Inductance Per Phase	$5mH \pm 20\%$			

Drawn	Bruce	04/24/2017	<b>Unit: mm</b> <b>Kysan Electronics</b> <a href="http://www.kysanelectronics.com">www.kysanelectronics.com</a> <a href="mailto:info@kysanelectronics.com">info@kysanelectronics.com</a>	
Checked	Nina	04/24/2017		
Eng Appr.				
Mfg Appr.				
Q.A.				
<b>SKU:</b> <b>1123016</b>			Size :A4	Weight(Kg):
			Scale 1:1	