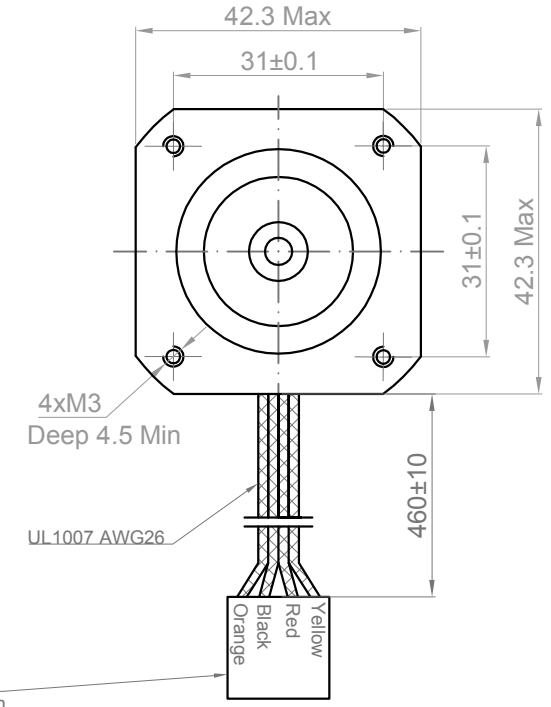
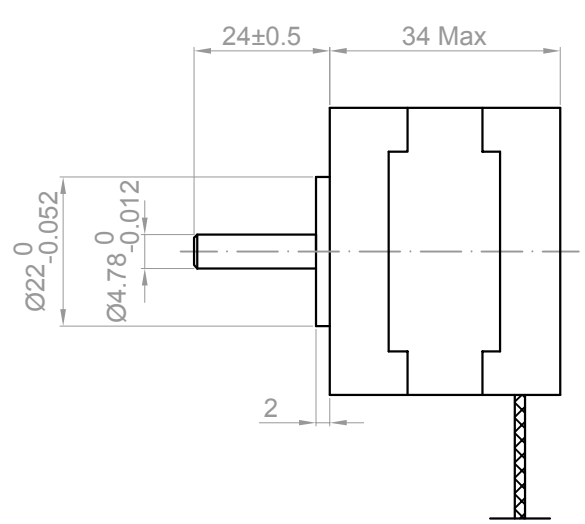
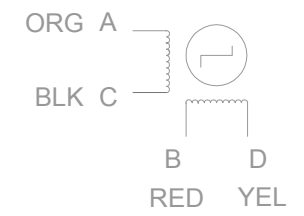


Rev.	Description	Date
01	Release for Production	10/26/2012



Molex:09-50-3041 Connector
Molex:08-52-0072 Connector Crimp Pin



NO.	Item	Specification	NO.	Item	Specification
1	Step Angle	1.8°	7	Holding Torque	260 mN.m
2	Rated Voltage	14 V	8	Insulation Class	Class B
3	Rated Current	0.4 A	9	Insulation Resistance	100MΩ <500V DC>
4	Resistance Per Phase	35 Ω ±10%	10	Rotor Inertia	38 g.cm ²
5	Inductance Per Phase	44 mH ±20%	11	Temperature Rise	85 K
6	Number of Phase	2	12	Detent Torque	12 mN.m

Drawn	Harry	10/26/2012
Checked	Sara	10/26/2012
Eng Appr.		
Mfg Appr.		
Q.A.		
SKU	1123029	

Kysan Electronics

www.kysanelectronics.com

info@kysanelectronics.com

Size : A4	Weight(Kg): 0.2	Unit: mm
Scale: 2:1		Sheet 1of 1