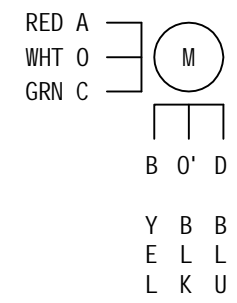
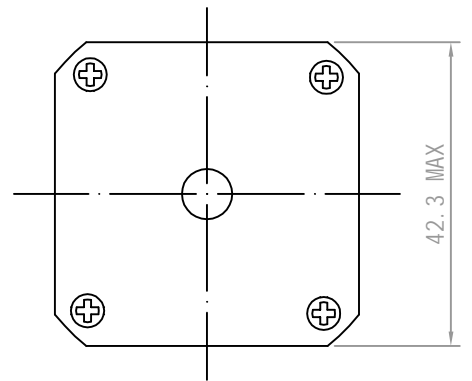
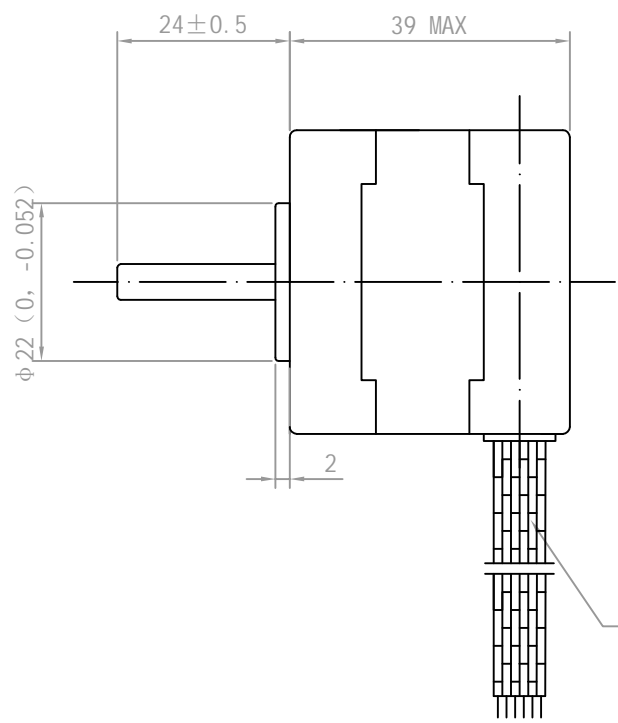
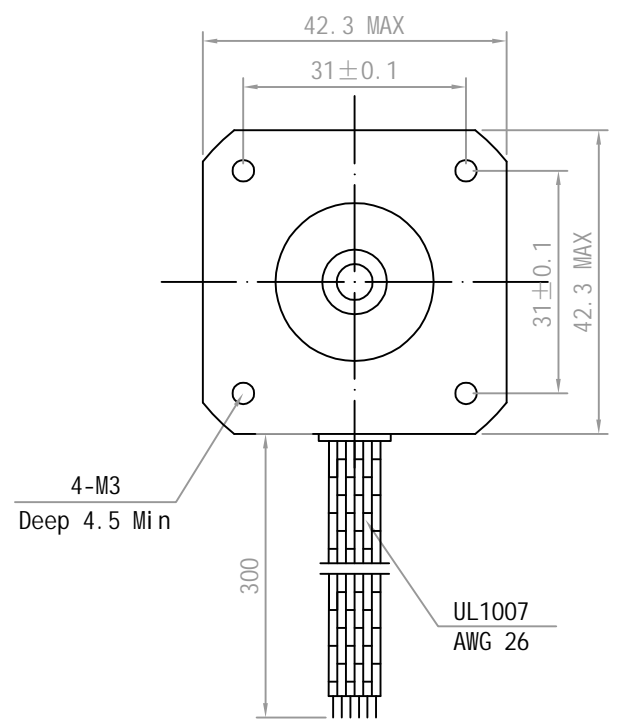


Rev.	Description	Date
01		



No.	Item	Specification	No.	Item	Specification
1	Number of Phase	4	7	Insulation Class	B
2	Step Angle	1.8° ± 5%	8	Insulation Resistance	100MΩ (500VDC)
3	Rated Voltage	3.6V DC	9	Holding Torque	2.4Kg.cm
4	Rated Current	1.2A/Phase			
5	Resistance Per Phase	3.5Ω ± 10%			
6	Inductance Per Phase	3.2mH ± 20%			

Drawn	Bruce	07/16/2020	<b>Unit: mm</b> <b>Kysan Electronics</b> <a href="http://www.kysanelectronics.com">www.kysanelectronics.com</a> <a href="mailto:info@kysanelectronics.com">info@kysanelectronics.com</a>	
Checked	Tony	07/16/2020		
Eng Appr.				
Mfg Appr.				
Q.A.				
<b>SKU:</b> <b>1124002</b>			Size :A4	Weight(Kg):
			Scale 1:1	