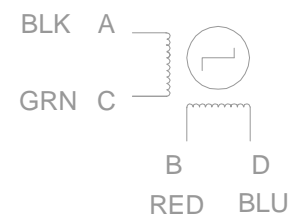
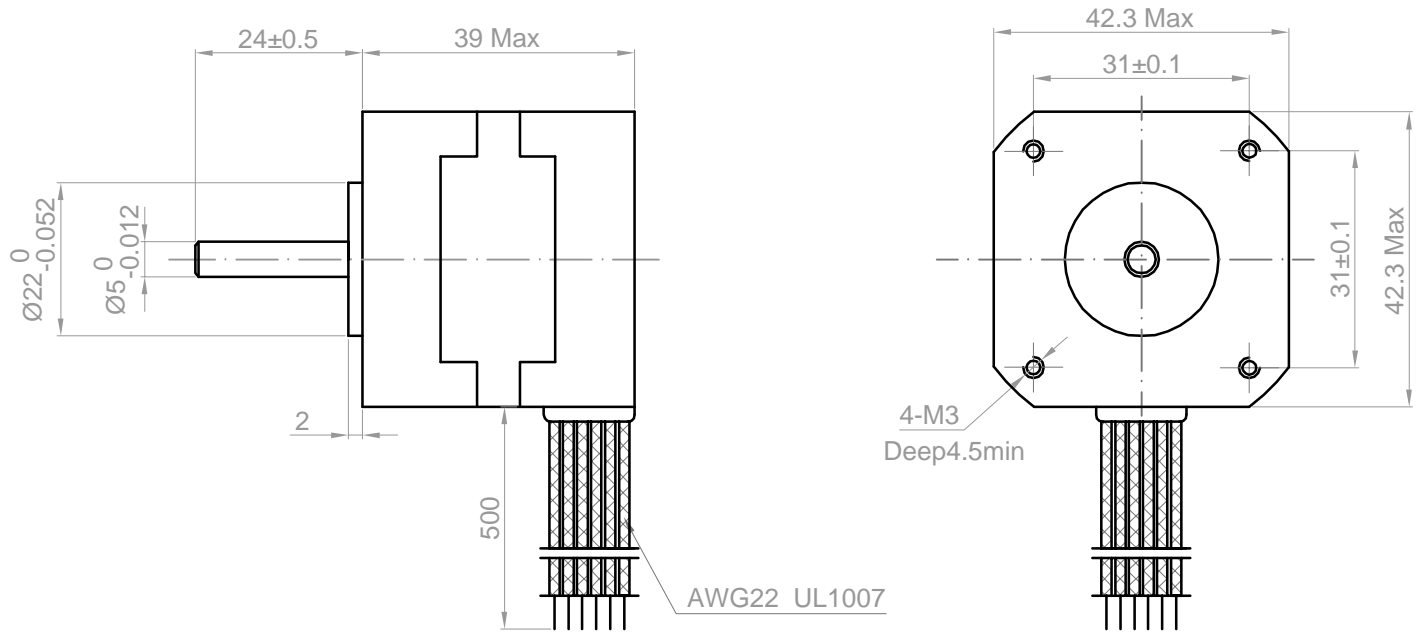


Rev.	Description	Date
01	Release for Production	07/03/2012



NO.	Item	Specification	NO.	Item	Specification
1	Step Angle	1.8°±5%	7	Holding Torque	4.2 Kg.cm Min
2	Rated Voltage	2.6 V	8	Temperature Rise	80°CMax
3	Current Per Phase	1.7 A	9	Insulation Resistance	100M <500V DC>
4	Resistance Per Phase	1.5 ±10%			
5	Inductance Per Phase	2.3 mH ±20%			
6	Number of Phase	2			

Drawn	Feny	07/03/2012
Checked	Sara	07/03/2012
Eng Appr.		
Mfg Appr.		
Q.A.		
SKU	1124006	

Kysan Electronics		
www.kysanelectronics.com		
info@kysanelectronics.com		
Size : A4	Weight(Kg): 0.24	Unit: mm
Scale: 2:1		Sheet 1of 1