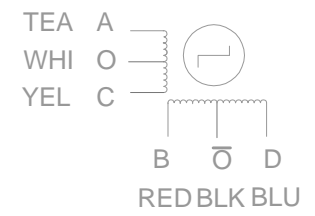
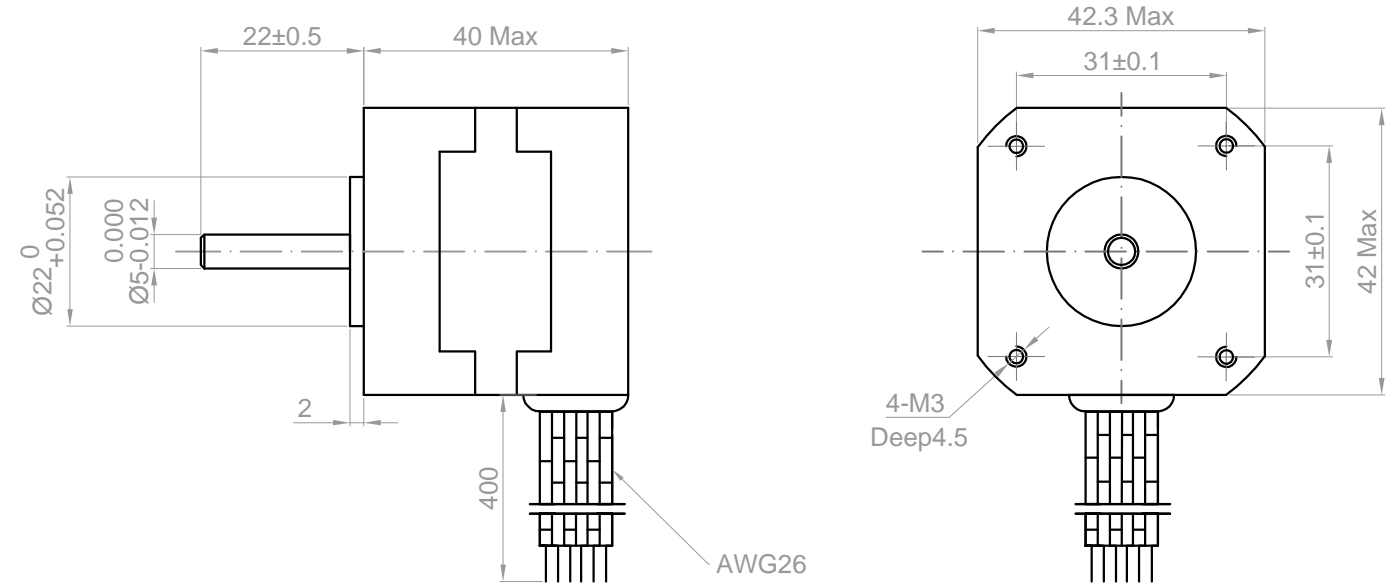


Rev.	Description	Date
01	Release for Production	10/16/2012



NO.	Item	Specification	NO.	Item	Specification
1	Step Angle	1.8°	7	Holding Torque	2.5 Kg.cm
2	Rated Voltage	12 V	8	Insulation Class	Class B
3	Current Per Phase	0.4 A	9	Insulation Resistance	100MΩ (500V DC)
4	Resistance Per Phase	30±10%Ω	10	Rotor Inertia	38 g.cm
5	Inductance Per Phase	24±20% mH			
6	Number of Phase	4			

Drawn	Shelly	10/16/2012	<b>Kysan Electronics</b> www.kysanelectronics.com		
Checked	Sara	10/16/2012			
Eng Appr.					
Mfg Appr.					
Q.A.			info@kysanelectronics.com		
SKU	<b>1124009</b>		Size : A4	Weight(Kg): 0.24	Unit: mm
			Scale: 2:1		Sheet 1 of 1