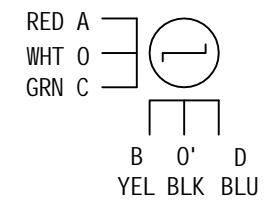
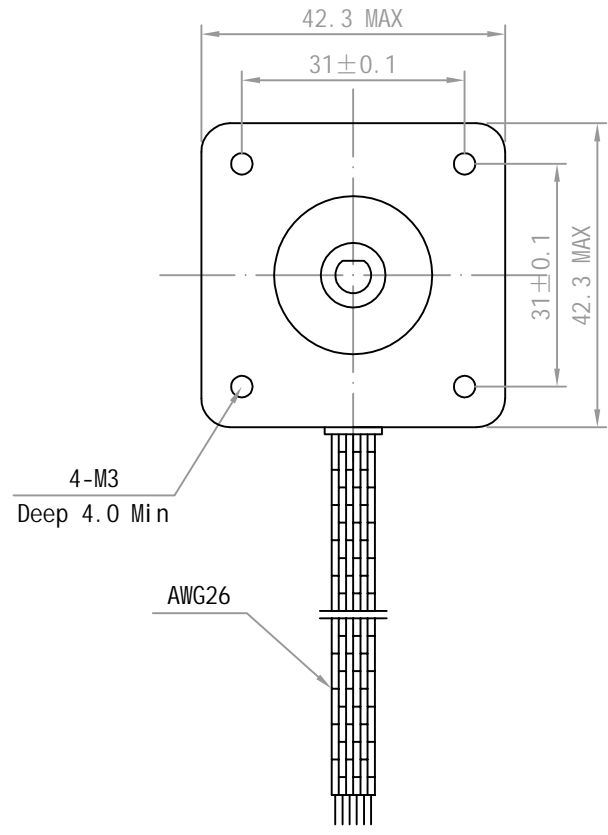
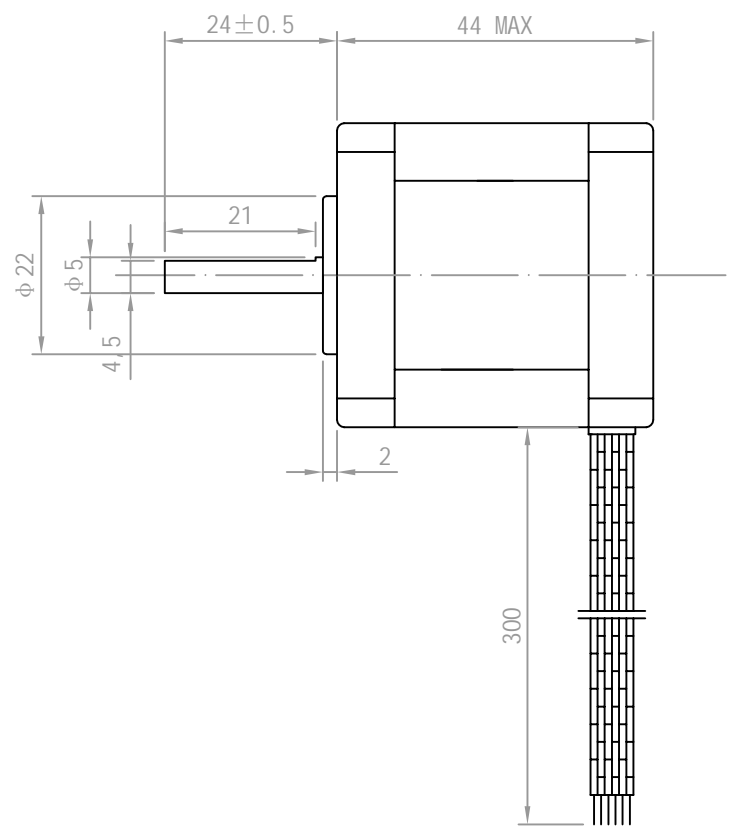


8 7 6 5 4 3 2 1

D

C

B



D

C

B

A

A

No.	Item	Speci fication	No.	Item	Speci fication	Drawn	Bruce	7/27/2017
1	Step Angle	1.8°	7	Insulation Class	Class B	Checked	Tony	7/27/2017
2	Rated Voltage	5V	8	Holding Torque	3.5Kg.cm	Eng Appr.		
3	Current / Phase	1A	9	Insulation Resistance	100MΩ (500VDC)	Mfg Appr.		
4	Resistance Per Phase	5.0Ω ±10%				Q. A.		
5	Inductance Per Phase	6.8mH±20%				SKU:		
6	Number of Phase	4					1124028	

Kysan Electronics
www.kysanelectronics.com
 Email: info@kysanelectronics.com

Size: A4	Unit: mm
Scale: 1:1	Sheet: 1 of 1

8 7 6 5 4 3 2 1