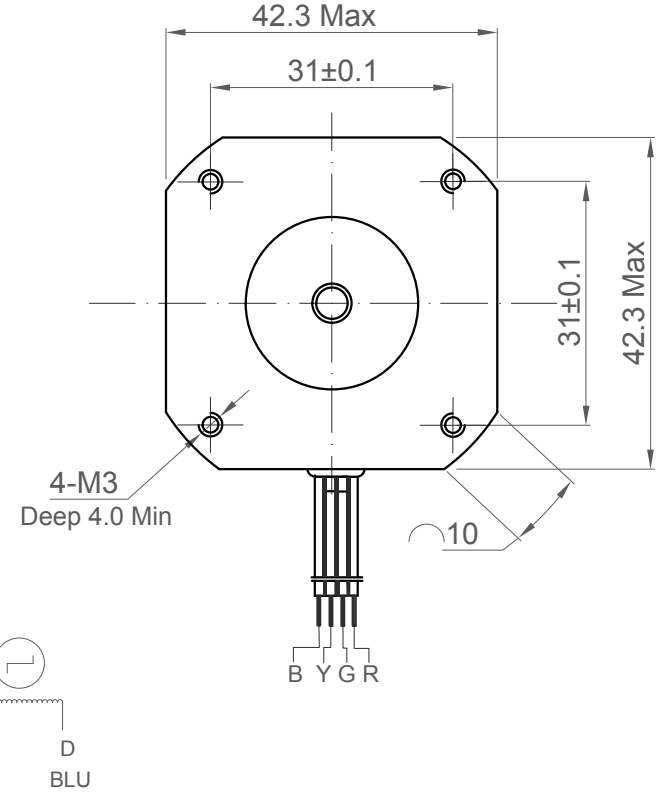
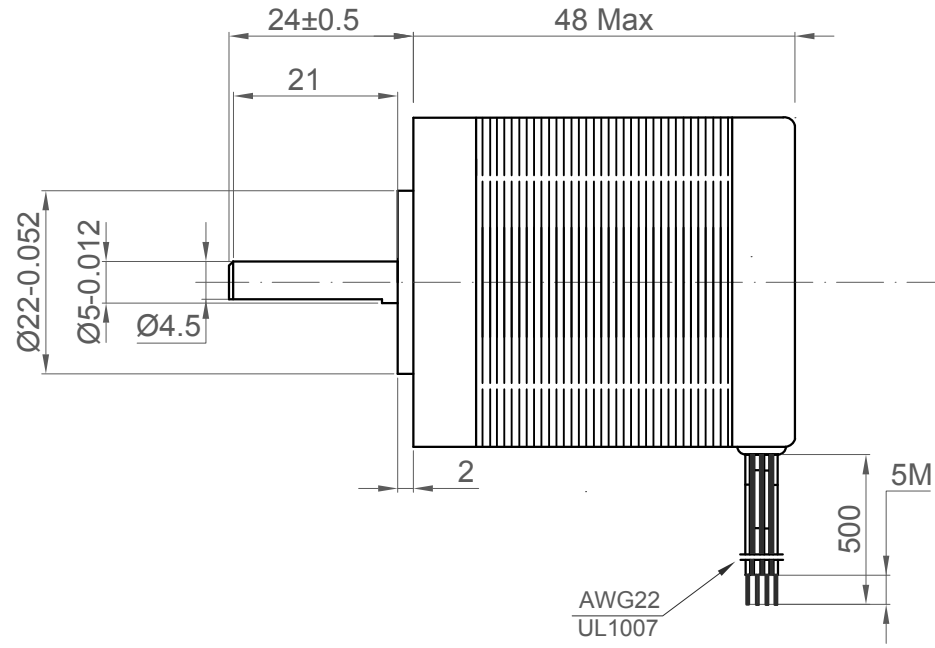


Rev.	Description	Date
02	Release for Production	8/3/2015



NO.	Item	Specification	NO.	Item	Specification
1	Step Angle	1.8°	7	Holding Torque	5.5 Kg.cm
2	Rated Voltage	4.2 V	8	Insulation Class	Class B
3	Current Per Phase	1.5 A	9	Insulation Resistance	100MΩ (500V DC)
4	Resistance Per Phase	2.8±10%Ω	10	Connector	SKU 1160078
5	Inductance Per Phase	4.8±20% mH	11	Pin	SKU 1160079
6	Number of Phase	2			

Drawn	Shelly	10/16/2012	<b>Kysan Electronics</b>		
Checked	Sara	10/16/2012			
Updated	Stephany	7/13/2015			
Eng Appr.					
Mfg Appr.			www.kysanelectronics.com		
SKU	<b>1124030</b>		Size : A4	Weight(Kg): 0.375	Unit: mm
			Scale: 1:1		Sheet 1 of 1