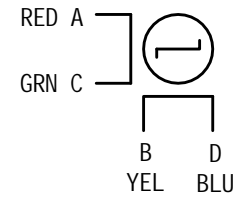
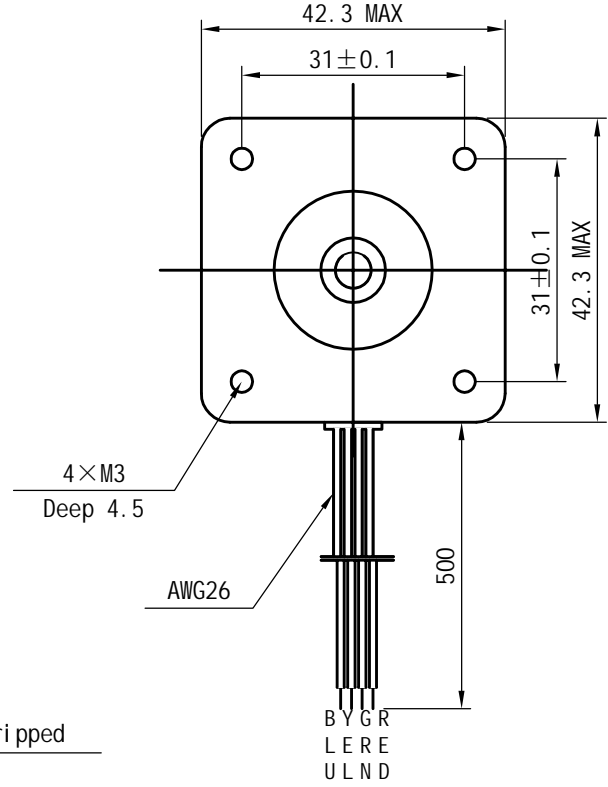
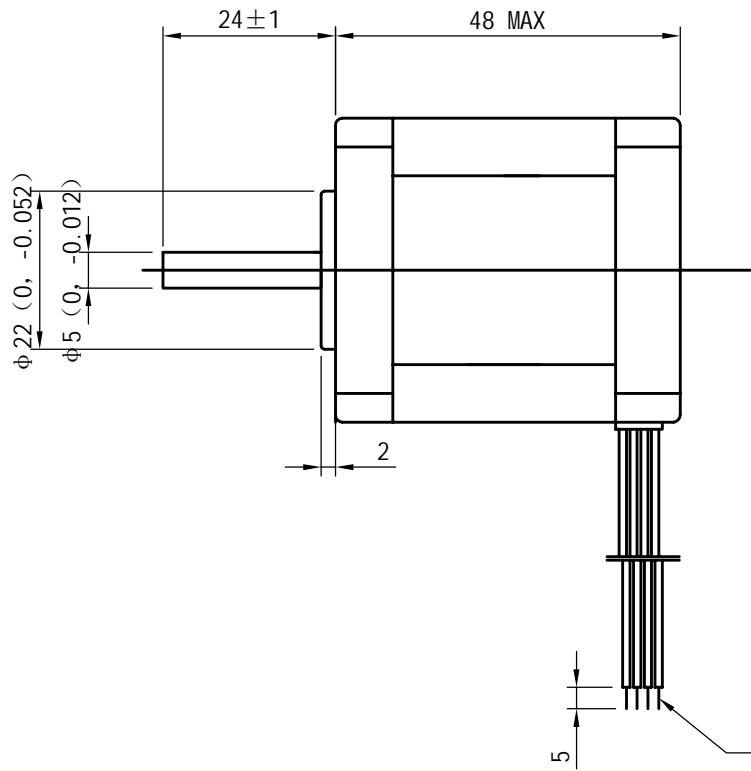


8 7 6 5 4 3 2 1

D

C

B



D

C

B

No.	Item	Speci fication	No.	Item	Speci fication	Drawn	Bruce	3/23/2016
1	Step Angle	$1.8^\circ \pm 5\%$	7	Insulation Class	Class B	Checked		
2	Rated Voltage	8 V	8	Holding Torque	4.8Kg.cm Max	Eng Appr.		
3	Current / Phase	0.5A	9	Insulation Resistance	$100M\Omega (500VDC)$	Mfg Appr.		
4	Resistance Per Phase	$19\Omega \pm 10\%$	10	Rotor Inertia	$82g.cm^2$	Q. A.		
5	Inductance Per Phase	$32mH \pm 20\%$				SKU:		
6	Number of Phase	2					1124033	

Kysan Electronics
www.kysanelectronics.com
 Email: info@kysanelectronics.com

Size: A4 Unit: mm
 Scale: 1:1 Sheet: 1 of 1

8 7 6 5 4 3 2 1

A

A