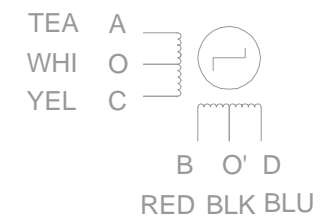
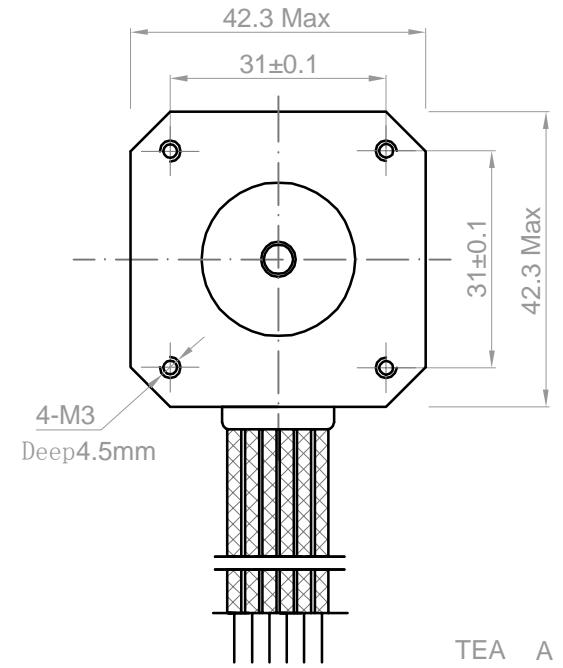
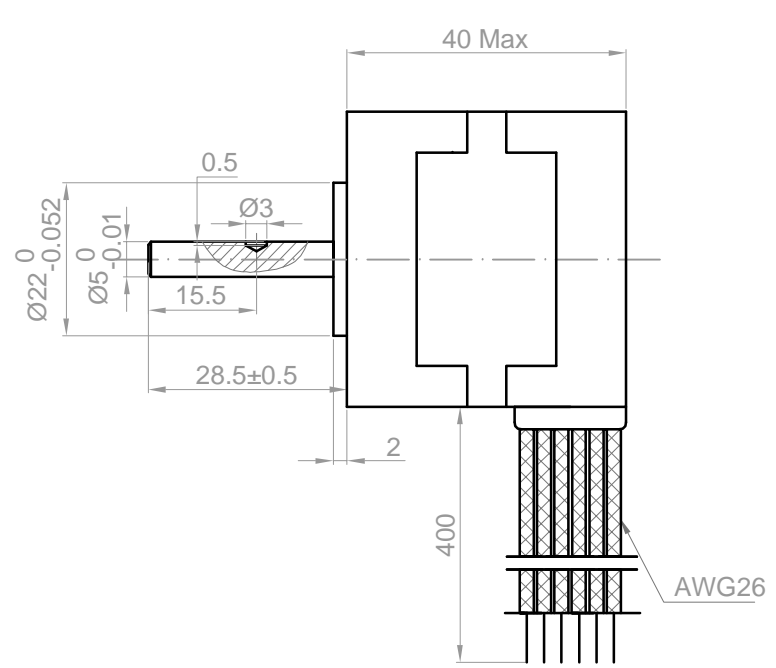


Rev.	Description	Date
01	Release for Production	06/12/2012



NO.	Item	Specification	NO.	Item	Specification
1	Step Angle	1.8°	7	Holding Torque	2.5 Kg.cm
2	Rated Voltage	12 V	8	Insulation Class	B
3	Current Per Phase	0.40 A	9	Insulation resistance	100m <500V DC>
4	Resistance Per Phase	30 ±10%	10	Rotor inertia	38 g.cm
5	Inductance Per Phase	24 mH ±20%			
6	Number of Phase	4			

Drawn	Feny	06/12/2012	<b>Kysan Electronics</b> www.kysanelectronics.com Email : info@kysanelectronics.com		
Checked	Sara	06/12/2012			
Eng Appr.					
Mfg Appr.					
Q.A.					
SKU	<b>1124037</b>		Size : A4	Weight(Kg): 0.24	Unit: mm
			Scale: 2:1		Sheet 1of 1