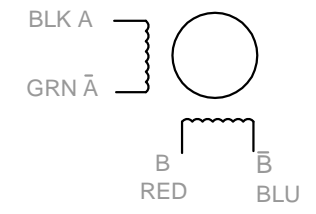
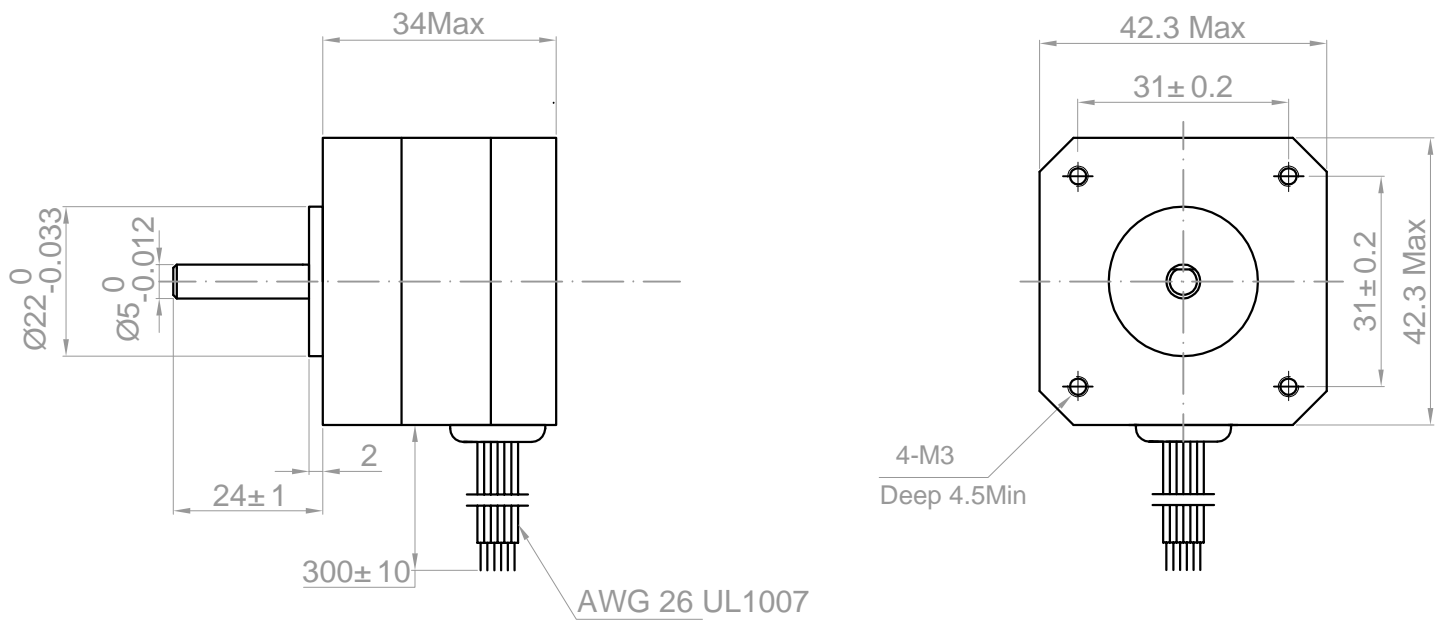


Rev.	Description	Date
01	Release for production	05/14/2012



No.	Item	Specification	No.	Item	Specification	Drawn	Kim	05/14/2012	Unit: mm		
1	Step Angle	1.8° ± 5%/Step	7	Insulation Class	Class B	Checked	Sara	05/14/2012	Kysan Electronics www.kysanelectronics.com		
2	Rated Voltage	12 V	8	Rotor Inertia	34 g.cm ²	Eng Appr.					
3	Rated Current	0.4 A/Phase	9	Detent Torque	2 N.cm Max	Mfg Appr.					
4	Resistance Per Phase	30 Ω± 10%	10	Holding Torque	2.6 Kg.cm	Q.A.			Size A4	Email to info@kysanelectronics.com	Rev 01
5	Inductance Per Phase	37 mH± 20%	11	Temperature Rise	80° C Max	SKU			Scale: 2:1	Weight(kg): 0.25	Sheet 1 of 1
6	Number of Phase	2	12	Ambient Temperature	- 20° C to + 50° C	1124039					