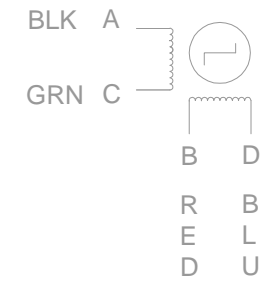
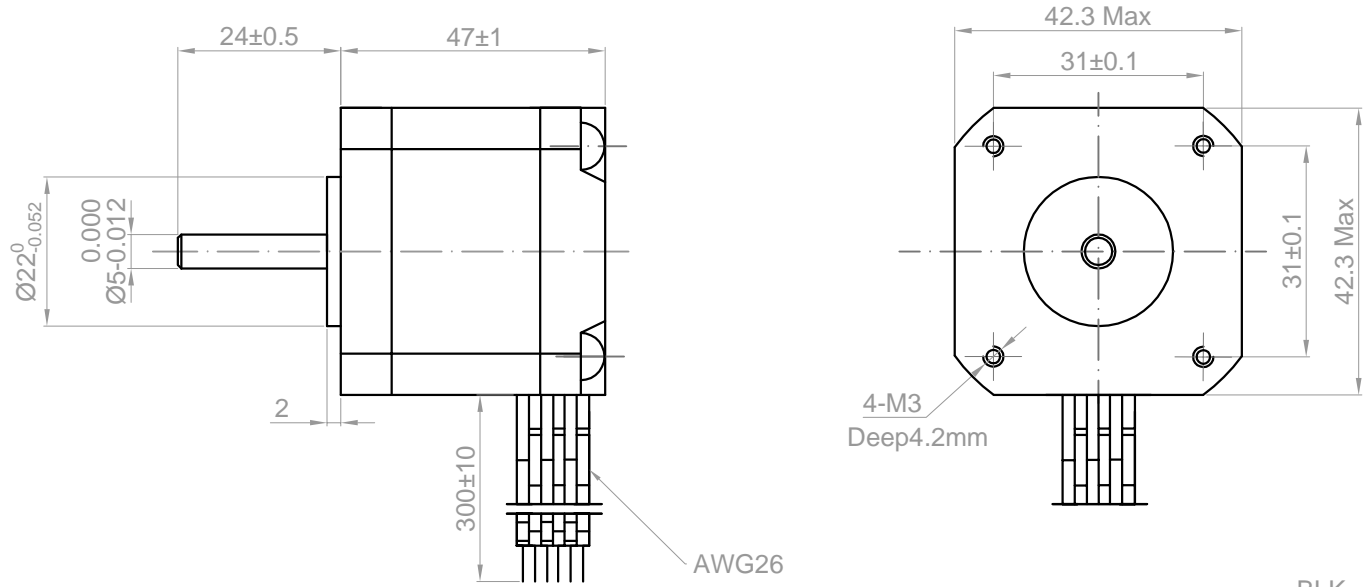


Rev.	Description	Date
01	Release for Production	05/14/2013



NO.	Item	Specification	NO.	Item	Specification
1	Step Angle	$1.8^\circ \pm 5\%$	7	Holding Torque	4.6 Kg.cm (MAX)
2	Rated Voltage	3.57V	8	Insulation Class	Class B
3	Current Per Phase	1.21 A	9	Insulation Resistance	100M Ω <500V DC>
4	Resistance Per Phase	$2.95 \Omega \pm 10\%$			
5	Inductance Per Phase	5.0 mH $\pm 20\%$			
6	Number of Phase	2			

Drawn	Gimy	05/14/2013
Checked	Sara	05/14/2013
Eng Appr.		
Mfg Appr.		
Q.A.		
SKU	1124044	

Kysan Electronics		
www.kysanelectronics.com		
info@kysanelectronics.com		
Size : A4	Weight(Kg): 0.34	Unit: mm
Scale: 2:1		Sheet 1 of 1