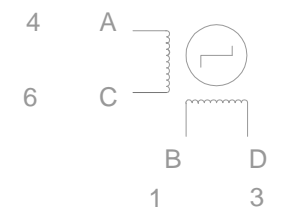
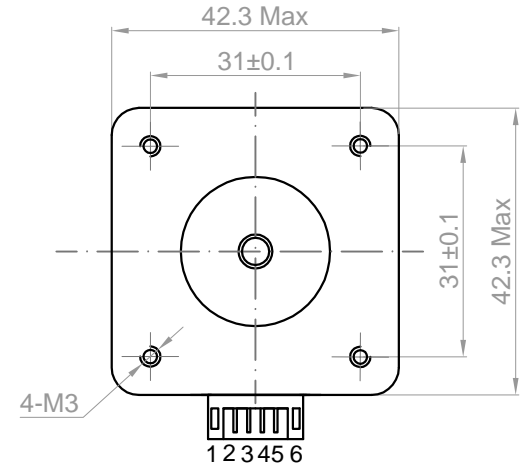
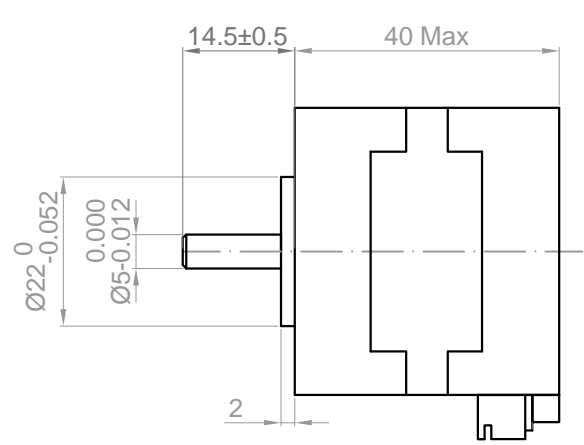


Rev.	Description	Date
01	Release for Production	10/31/2012



NO.	Item	Specification	NO.	Item	Specification
1	Step Angle	$1.8^\circ \pm 5\%$	7	Holding Torque	2.8 Kg.cm
2	Rated Voltage	12 V	8	Insulation Class	Class B
3	Current Per Phase	0.24 A	9	Insulation Resistance	$100\text{M}\Omega <500\text{V DC}>$
4	Resistance Per Phase	$50 \Omega \pm 10\%$			
5	Inductance Per Phase	$78 \text{ mH} \pm 20\%$			
6	Number of Phase	2			

Drawn	Harry	10/31/2012
Checked	Sara	10/31/2012
Eng Appr.		
Mfg Appr.		
Q.A.		
SKU	1124053	

Kysan Electronics		
www.kysanelectronics.com		
info@kysanelectronics.com		
Size : A4	Weight(Kg): 0.2	Unit: mm
Scale: 2:1		Sheet 1of 1