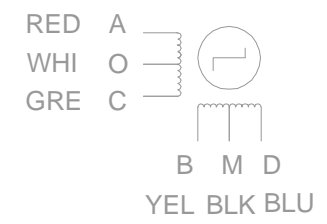
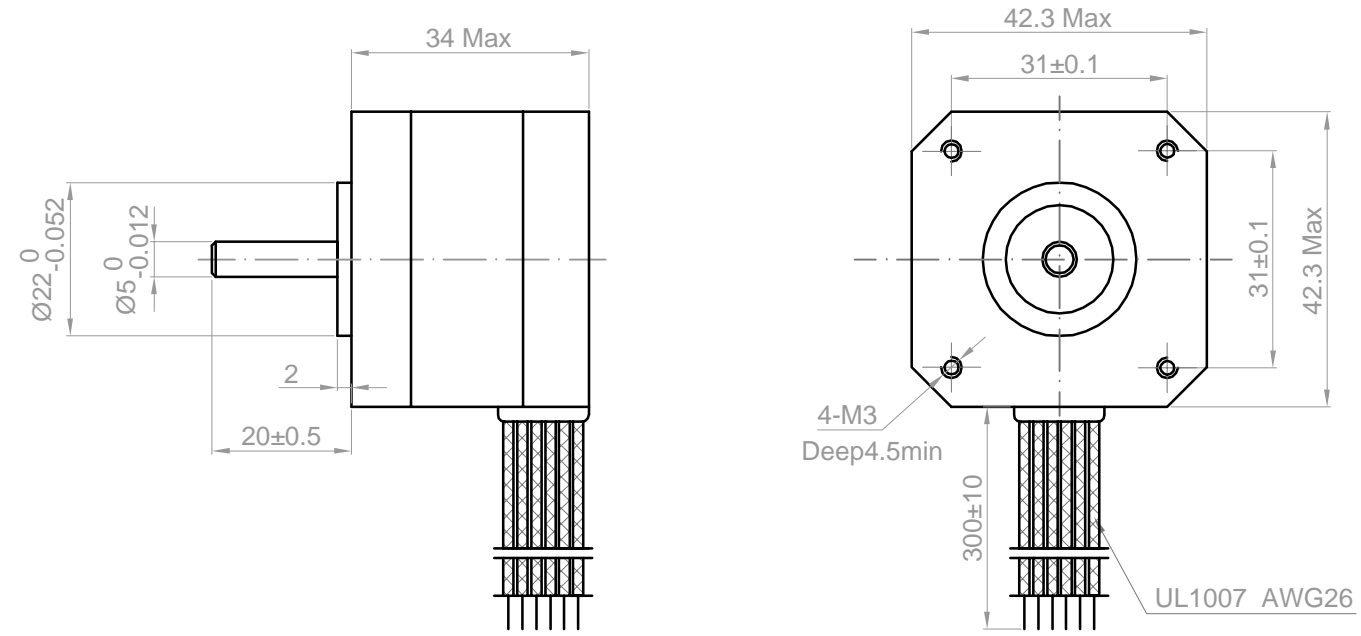


Rev.	Description	Date
01	Release for Production	07/02/2012



NO.	Item	Specification	NO.	Item	Specification
1	Step Angle	0.9°	7	Holding Torque	1.6 Kg.cm
2	Rated Voltage	12 V	8	Insulation Class	B
3	Rated Current	0.3 A	9	Insulation Resistance	100M min.<500V DC>
4	Resistance Per Phase	40 ±10%	10	Rotor Inertia	38 g.cm ²
5	Inductance Per Phase	37 mH ±20%	11	Detent Torque	120 g.cm
6	Number of Phase	4			

Drawn	Feny	07/02/2012
Checked	Sara	07/02/2012
Eng Appr.		
Mfg Appr.		
Q.A.		
SKU	1124061	

Kysan Electronics
www.kysanelectronics.com
info@kysanelectronics.com

Size : A4	Weight(Kg): 0.2	Unit: mm
Scale: 2:1		Sheet 1 of 1