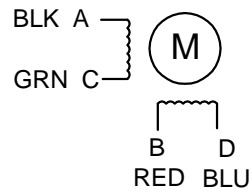
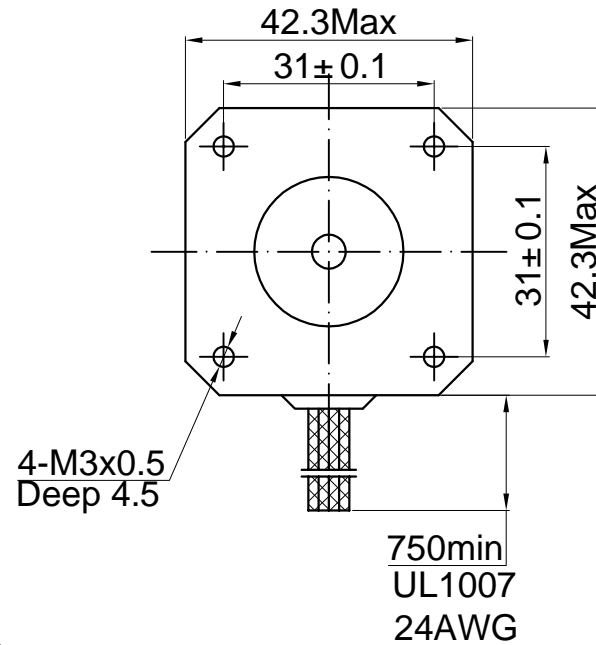
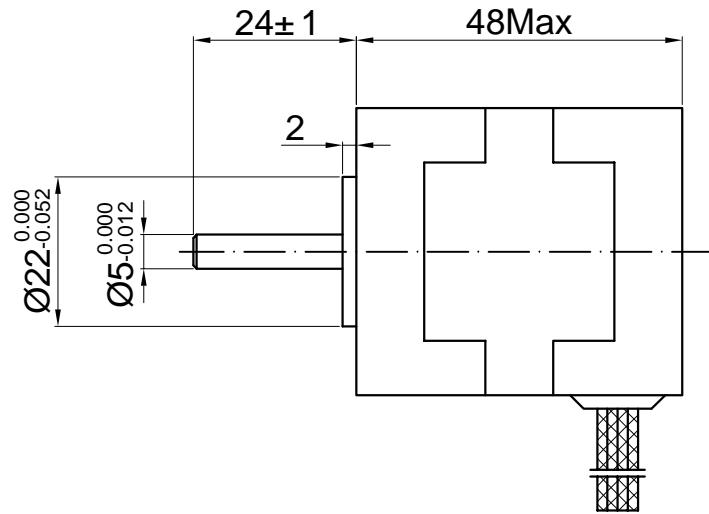


NO.	ITEM	SPECIFICATION
1	Step Angle	0.9° ± 5%
2	Rated Voltage	2.4V
3	Current Per Phase	2.4A
4	Resistance Per Phase	1.0Ω
5	Inductance Per Phase	1.8mH
6	Holding Torque	4.5Kg-cm
7	Insulation Class	Class B

Rev.	Revision	Date
01	Update	3/15/2011



DRAWN	Li	3/15/2011
CHECKED	Sara	3/15/2011
ENG APPR.		
MFG APPR.		
Q.A.		

UNIT: mm

Kysan Electronics

42BYGHM810

SIZE
A4

Kysan SKU
1124074

REV
01

SCALE: 2:1

Weight(kg):

SHEET 1 OF 1