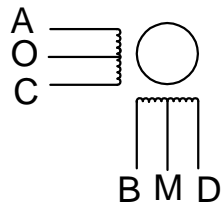
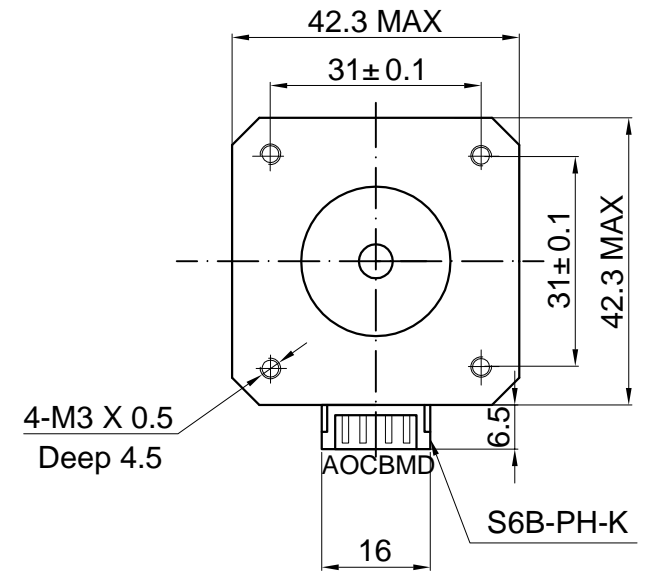
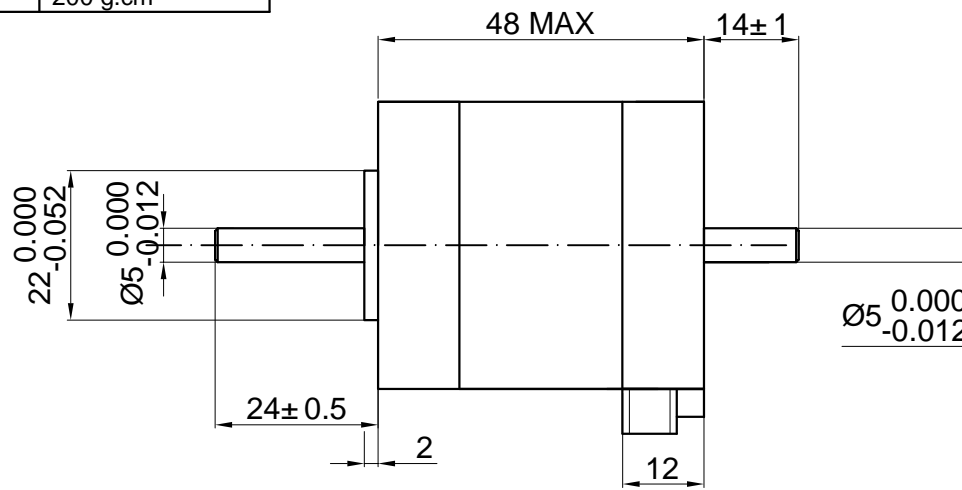


NO.	ITEM	SPECIFICATION
1	Step Angle	1.8° ± 5%
2	Rated Voltage	12 V
3	Rated Current	0.4 A
4	Resistance Per Phase	30 Ω ± 10%
5	Inductance Per Phase	28 mH ± 10%
6	Number of Phase	4
7	Holding Torque	400 mN.m
8	Insulation Class	Class B
9	Rotor Inertia	72 g.cm ²
10	Detent Torque	200 g.cm

Rev.	Revision	Date
01	Update	6/21/2011



DRAWN	Amily	6/21/2011
CHECKED	Sara	6/21/2011
ENG APPR.		
MFG APPR.		
Q.A.		

UNIT: mm

Kysan Electronics

42BYGH128-2

SIZE
A4

Kysan SKU
1124076

REV
01

SCALE: 2:1

Weight(kg): 0.38

SHEET 1 OF 1