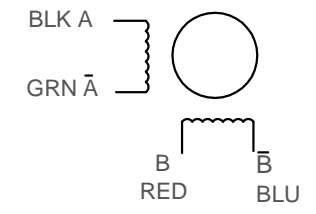
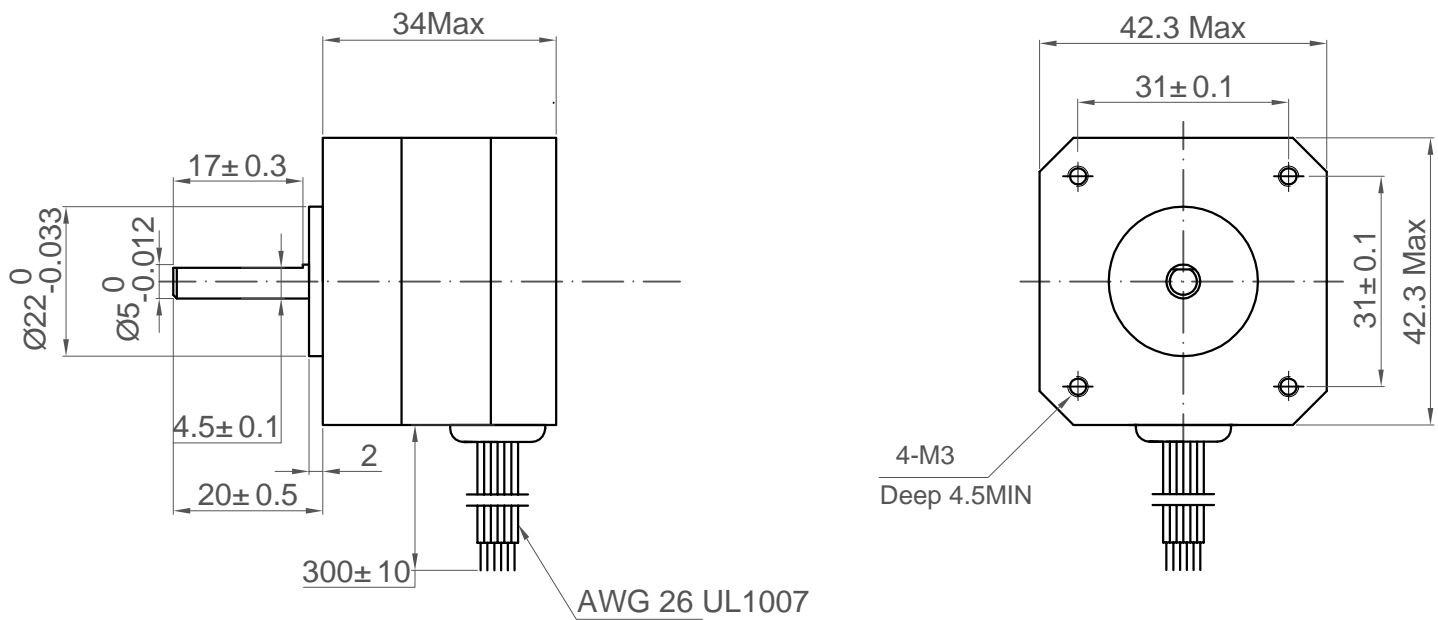


Rev.	Description	Date
01	Release for production	12/16/2011



NO.	ITEM	SPECIFICATION	NO.	ITEM	SPECIFICATION	DRAWN	Amily	12/16/2011
1	Step Angle	1.8° ± 5%/Step	7	Insulation Class	Class B	CHECKED	Sara	12/16/2011
2	Rated Voltage	12 V	8	Rotor Inertia	34 g.cm ²	ENG APPR.		
3	Rated Current	0.4 A/Phase	9	Detent Torque	2 N.cm Max	MFG APPR.		
4	Resistance Per Phase	30 Ω± 10%/Phase	10	Holding Torque	26 N.cm	Q.A.		
5	Inductance Per Phase	37 mH± 20%/Phase				SKU		
6	Number of Phase	2						

UNIT: mm		
Kysan Electronics		
SIZE A4	Email to Info@kysanelectronics.com	REV 01
SCALE: 2:1	Weight(kg): 0.25	SHEET 1 OF 1

1124131