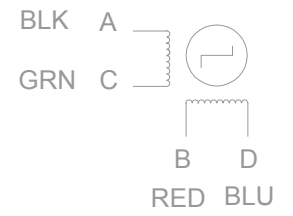
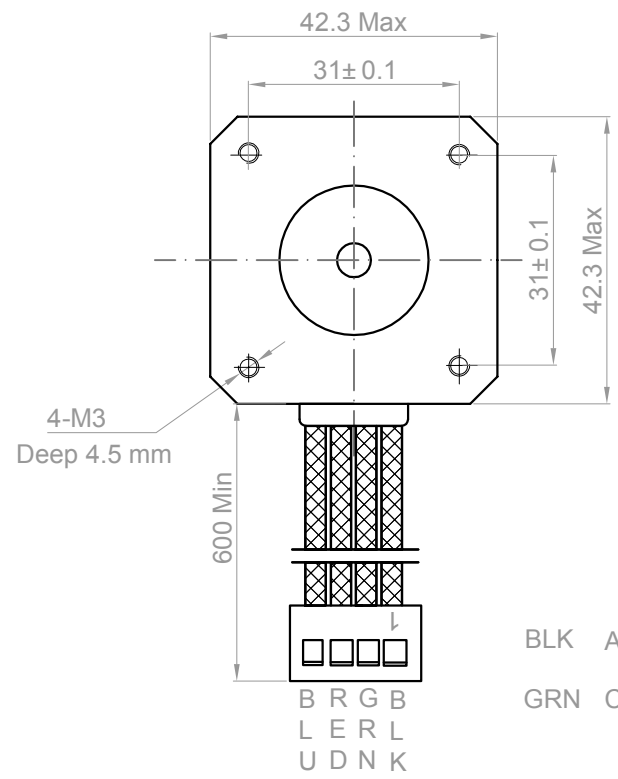
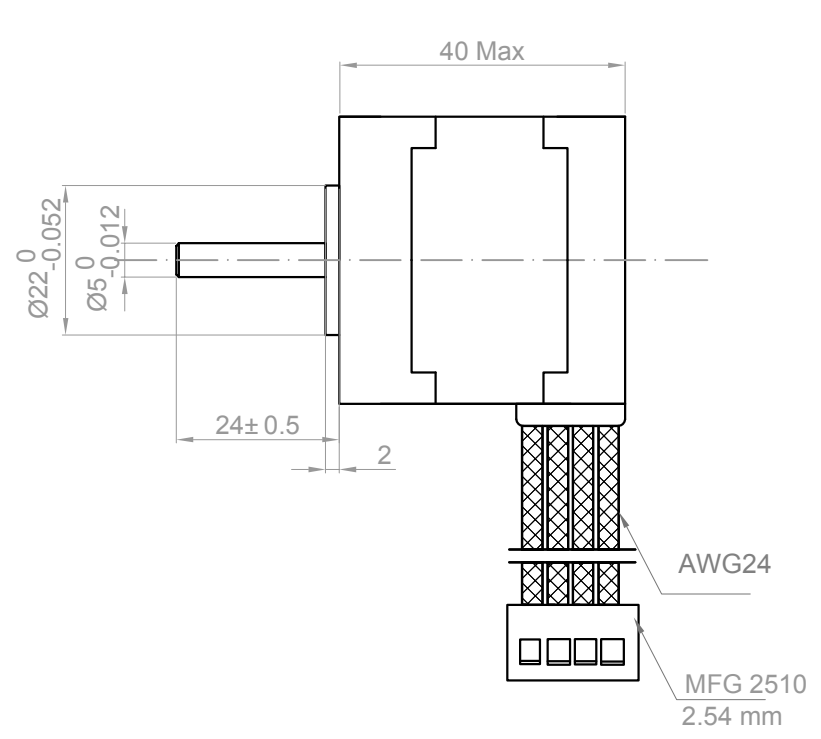


Rev.	Description	Date
01	Release for production	05/15/2012



NO.	Item	Specification	NO.	Item	Specification
1	Step Angle	1.8° ± 5%	7	Holding Torque	4 Kg.cm
2	Rated Voltage	12 V	8	Insulation Class	B
3	Rated Current	0.4 A			
4	Resistance Per Phase	30 Ω ± 10%			
5	Inductance Per Phase	66 mH ± 20%			
6	Number of Phase	2			

Drawn	Emily	05/15/2012	Kysan Electronics www.kysanelectronics.com Email : info@kysanelectronics.com		
Checked	Sara	05/15/2012			
Eng Appr.					
Mfg Appr.					
Q.A.					
SKU	1124135		Size : A4	Weight(Kg): 0.25	Unit: mm
			Scale: 2:1		Sheet 1of 1