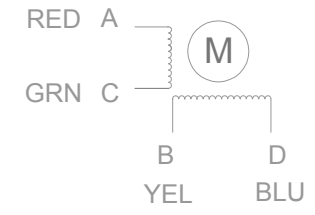
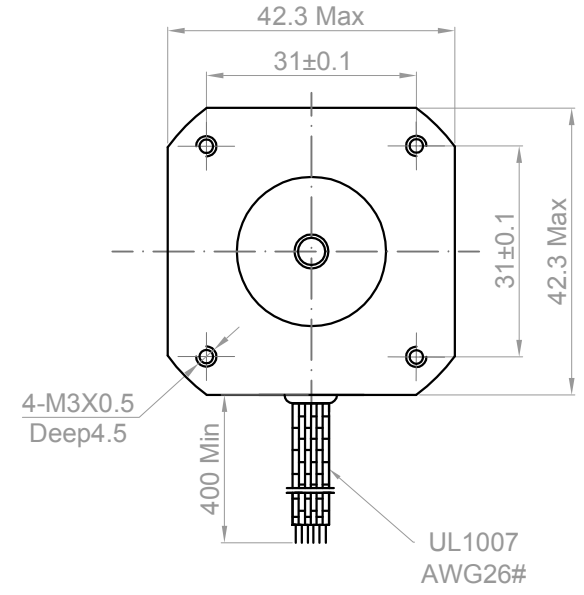
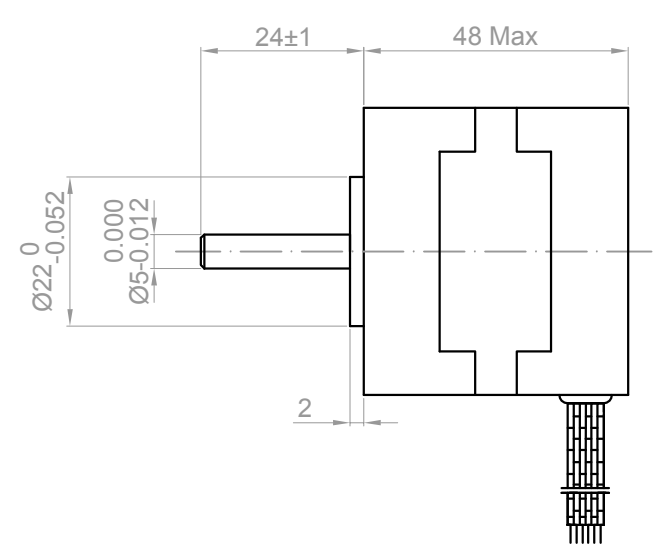


Rev.	Description	Date
01	Release for Production	12/6/2012



NO.	Item	Specification	NO.	Item	Specification
1	Step Angle	0.9°	7	Holding Torque	4200 g.cm
2	Rated Voltage	2.77	8	Insulation Class	Class B
3	Current Per Phase	1.68 A			
4	Resistance Per Phase	1.65 Ω			
5	Inductance Per Phase	3.5 mH			
6	Number of Phase	2			

Drawn	Shelly	12/6/2012
Checked	Sara	12/6/2012
Eng Appr.		
Mfg Appr.		
Q.A.		
SKU	1124175	

Kysan Electronics		
www.kysanelectronics.com		
info@kysanelectronics.com		
Size : A4	Weight(Kg):	Unit: mm
Scale: 2:1		Sheet 1of 1