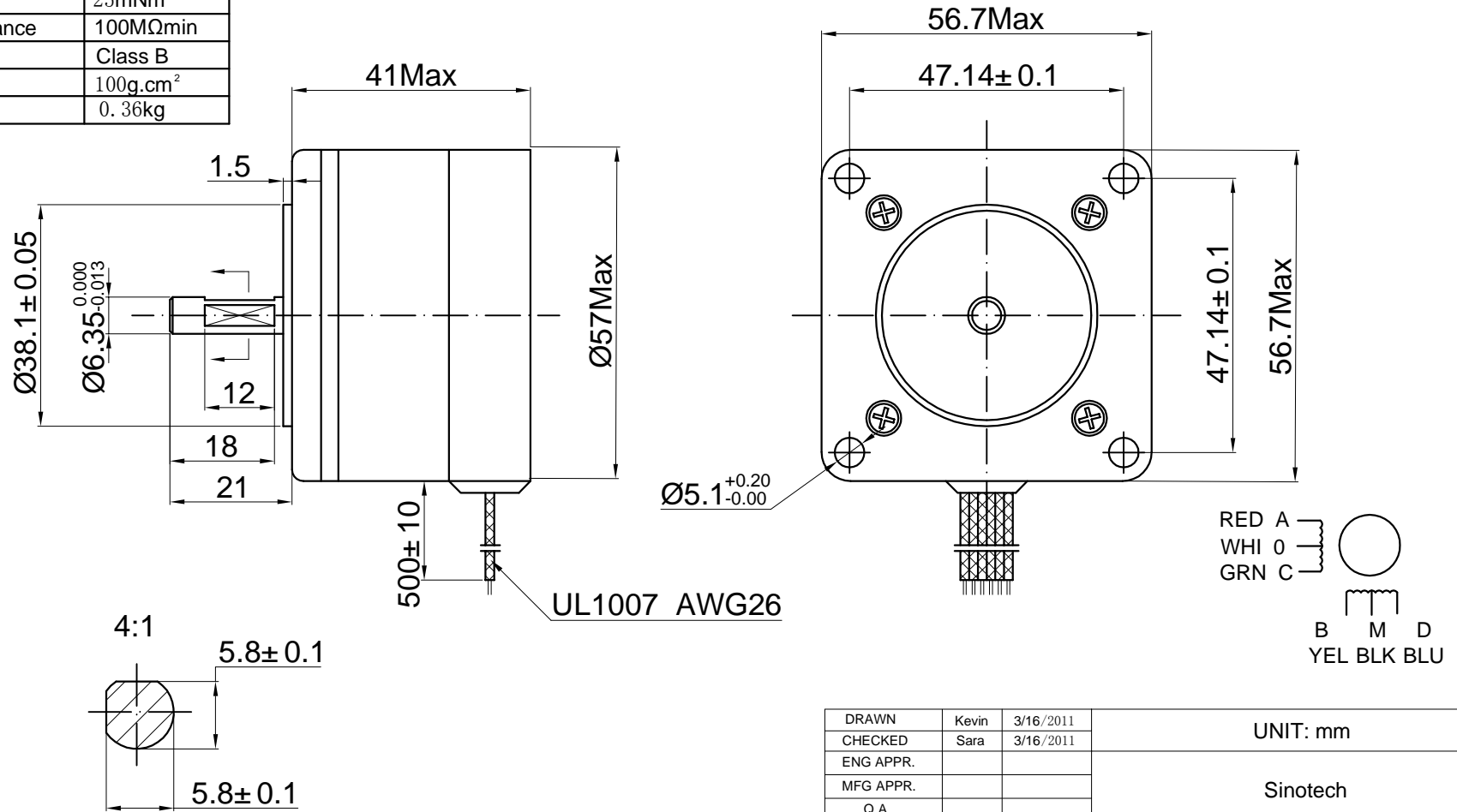


NO.	ITEM	SPECIFICATION
1	Step Angle	1.8° ± 5%
2	Number of phase	4
3	Rated Voltage	12V
4	Current Per Phase	0.38A
5	Resistance Per Phase	32Ω ± 10%
6	Inductance Per Phase	35mH ± 20%
7	Holding Torque	28N.cm
8	Detent Torque	25mNm
9	Insulation Resistance	100MΩmin
10	Insulation Class	Class B
11	Rotor Inertia	100g.cm <sup>2</sup>
12	Mass	0.36kg

Rev.	Revision	Date
01	Update	3/16/2011



DRAWN	Kevin	3/16/2011	UNIT: mm	
CHECKED	Sara	3/16/2011		
ENG APPR.				
MFG APPR.			Sinotech	
Q.A.				
57BYG007			SIZE A4	P/N 237543
			SCALE: 2:1	REV 01
			Weight(kg):	SHEET 1 OF 1